

# BExBGL2 Explosion Proof L.E.D. Status Light & Beacon

The flameproof BExBGL2 L.E.D. multi-function beacon is suitable for Zone 1, 2, 21 & 22 applications. Approved to IECEx and ATEX standards.

The BExBGL2 explosion proof LED status light & beacon utilises an array of high power Cree® LED's, orientated to optimise visibility in any direction.

The beacon can be configured as a steady beacon for status indicator use, with a light output of up to 87 candela. Alternatively one of the five flashing modes, with a light output of up to 160 candela, may be used for warning applications. DC voltage versions feature three remotely selectable stages enabling multiple warnings to be signalled from one device.

The UV stable colour filter enhances the light output and is field replaceable.

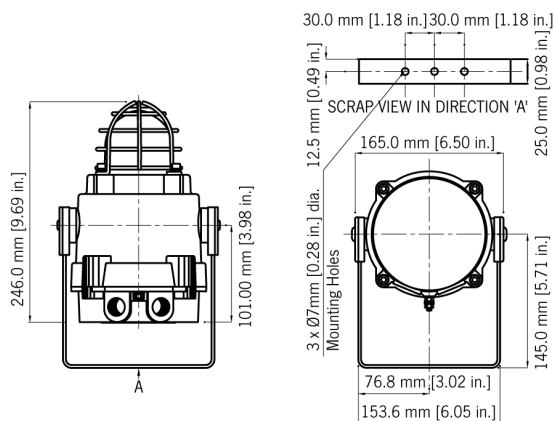
## Features

- Marine grade, corrosion proof, LM6 aluminium enclosure
- Ingress protection IP66/67
- Automatic synchronisation on multi-beacon systems
- Choice of five flash rates: 1Hz, 1.5Hz, 2Hz, double and triple flash.
- High and low power Steady modes
- Three remotely selectable stages/channels on DC versions.
- Glass lens & Stainless Steel guard
- UV stable PC field replaceable lens colour filter
- Stainless steel fixings
- Dual cable entries
- Duplicate cable terminations (in & out for daisy-chain installations)
- Ratchet adjustable stainless steel 'U' bracket.

## Approvals

- IECEx KEM 10.0002X  
IEC 60079-0 : 2011  
IEC 60079-1 : 2007-4  
IEC 60079-31 : 2013
- ATEX KEMA 00ATEX2 006X  
EN 60079-0 : 2012 + A11  
EN 60079-1 : 2007  
EN 60079-31 : 2014





## Specification

Source:	Array of 4 x High Power Cree® LED's
Modes:	1Hz flash (60 fpm) 1.5Hz flash (90 fpm) 2Hz flash (120 fpm) Double strike flash Triple strike flash High Power Steady Low Power Steady
Eff. Intensity cd:	87 cd - High Power Steady
Eff. Intensity cd:	160 cd - 1Hz flash
Lens colours:	Amber, Blue, Clear, Green, Magenta, Red & Yellow
Voltages DC:	24V dc (18-54V dc)
Voltages AC:	115V ac; 230V ac
Ingress protection:	IP66/67
Enclosure matl:	Marine grade copper free LM6 Aluminium
Enclosure finish:	Chromate & powder coated finish - anti-corrosion.
Colour:	RAL3000 Red (others available on request)
Cable entries:	Dual M20 ISO (one stopping plug inc)
Terminals:	0.5 - 2.5mm <sup>2</sup> (20-14 AWG)
Enclosure volume:	<2 litres
Line monitoring:	Blocking diode included EOL Min. 500 Ohm 2w, or 3k3 Ohm 0.5w resistor or diode (DC versions) can be fitted
LED life:	60,000 hours
Grounding stud:	M5
Temperature range:	-50° to +70°C (-58°F to +158°F)
Relative humidity:	90% at 20°C [68°F]
Weight:	DC:2.45kg/5.39lbs AC: 2.75kg/6.05lbs
*All candela data is representative of performance with clear lens at optimum voltage.	

Example part code: BExBGL2DPAC230 [e][m][s][v][x]/[y]  
BExBGL2DPAC230AB1A1R/R  
BExBGL2 Ex d LED Beacon, 230V ac,  
2 x M20 entries, Brass stopping plugs,  
A2 304 SS dome guard, IECEx & ATEX approved,  
Red enclosure, Red lens

## Part Codes

Version:	Part code:	
Product:	BExBGL2 LED Multi-function Beacon	
Type:	DP	Ex d, UV stable PC lens coloured filter
Voltage:	DC024	18-54V dc
	AC115	103.5-126.5V ac
	AC230	207-253V ac
Cable Entry Type: [e]	A	2 x M20x1.5mm
	B	2 x 1/2" NPT - adaptors
	C	2 x 3/4" NPT - adaptors
	D	2 x M25x1.5mm - adaptors
	E	1 x 1/2" NPT - adaptor
	F	1 x 3/4" NPT - adaptor
	G	1 x M25x1.5mm - adaptor
Note:	<i>M20 stopping plug for unused entry supplied.</i>	
Adaptor/Stopping plug material: [m]	B	Brass
	N	Nickel Plated
	S	Stainless Steel
Guard material: [s]	1	A2/304 Stainless Steel
	2	A4/316L Stainless Steel
Product version: [v]	A1	IECEx & ATEX Group II 2G/D Zone 1, 2, 21 & 22
Enclosure colour: [x]	R	Red RAL3000
	[x]	
Lens colour: [y]	A	Amber
	B	Blue
	C	Clear
	G	Green
	M	Magenta
	R	Red
	Y	Yellow

## Current Consumption

Version:	Voltage:	Steady High Power Current:	Steady Low Power Current:	Flashing 1Hz Current:
24V dc	18-54V dc	240mA	134mA	110mA
115V ac	103.5-126.5V ac 50/60Hz	95mA	78mA	90mA
230V ac	207-253V ac 50/60Hz	48mA	37mA	45mA

## Assemblies

Assemblies: The products from the BEx range are available as multiple unit assemblies prewired with and without junction boxes. See the BExp data sheet for further info or contact E2S sales.

## Coding

- Ex d IIC T6 Gb Ta. -50°C to +60°C
- Ex d IIC T5 Gb Ta. -50°C to +70°C
- Ex tb IIIC T60°C Db Ta. -50°C to +40°C
- Ex tb IIIC T75°C Db Ta. -50°C to +55°C
- Ex tb IIIC T90°C Db Ta. -50°C to +70°C

## Multi-function patterns

<b>Stage 1: [On board]</b>	<b>Stage 2: [Remote]</b>	<b>Stage 3: [Remote]</b>
Steady High Power	Flashing 1Hz	Triple Strike
Steady Low Power	Flashing 1Hz	Triple Strike
Flashing 1Hz	2x Flash 2Hz	Triple Strike
Flashing 1.5Hz	Flashing 2Hz	Double Strike
Flashing 2Hz	Triple Strike	Triple Strike
Double Strike	Steady High Power	Triple Strike
Triple Strike	Flashing 2Hz	Double Strike

Note: Remote second and third stage on DC units only