



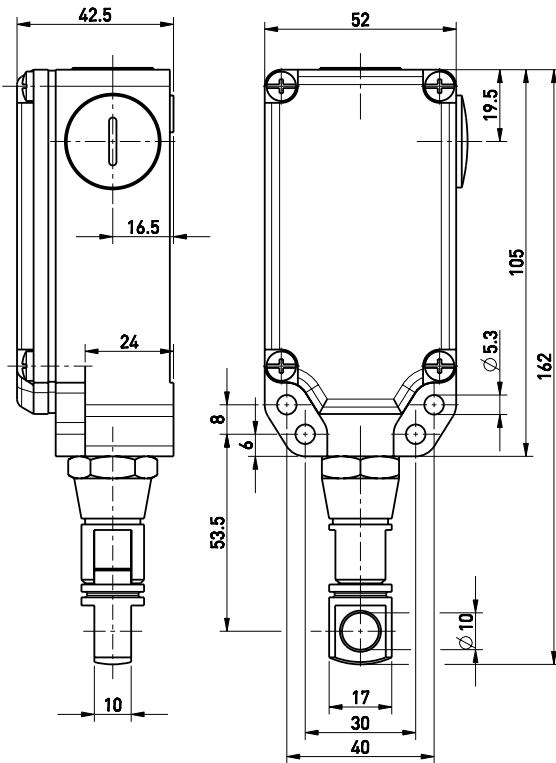
Pull-wire switch ZS 71 Z 10/1S

Material number: 1179743 (Material number (old): 71141919)

Features/Options

- Metal enclosure
- Wall mounting
- Snap action: 2 contacts
- Pull-wire function without latching

Dimensions







Switching diagram

Snap action

1 NC/1 NO contact



Technical data

Standards	EN 60947-5-1
Enclosure	aluminium die-cast, enamel finish
Cover	thermoplastic, ultramid
Degree of protection	IP 65 to IEC/EN 60529
Contact material	silver
Switching elements	change-over contact with double break, galvanically separated contact bridges
Switching system	snap action, positive break
Connection	NC contacts ⊖
Cable cross-section	screw connection terminals max. 2.5 mm ² (incl. conductor ferrules)
Cable entry	2 x M20 x 1.5
U _{imp}	6 kV
U _i	400 V
I _{the}	6 A
Utilisation category	AC-15
I _e /U _e	6 A/400 VAC
Max. fuse rating	6 A gG/gN fuse
Ambient temperature	-25 °C ... +70 °C
Mechanical life	> 1 million operations
Frequency of operation	1800/h
Actuating force	max. 80 N
Features	pull-wire function without latching
Approvals	   

Weight

380 g

Errors and omissions excepted.