



Wireless inductive sensor

RF IS M30 nb-ST 2 m

Material number: 1189976 (Material number (old): 90211004)

Features/Options

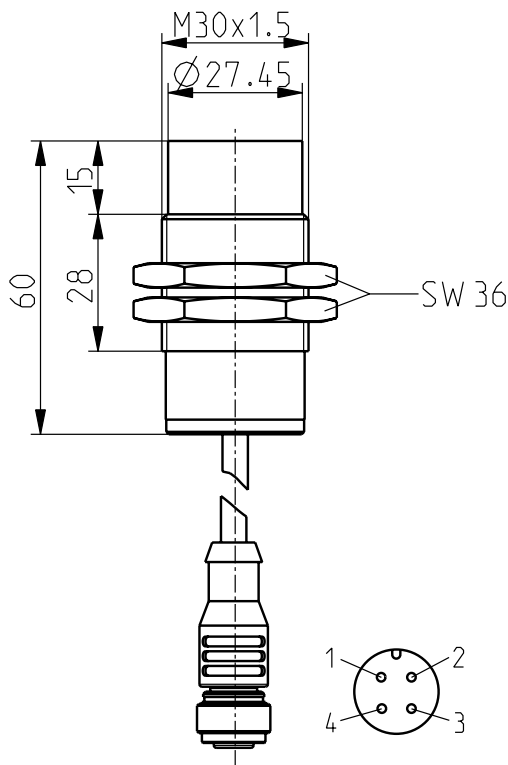
- Metal enclosure
- M30 thread
- Non-flush mounting

Note

- 2 mounting nuts are included in delivery

- To be connected to RF 96 ST or RF I/O universal transmitter
- With M12 coupling, 4-pole

Dimensions



Technical data

Standards	EN 60947-5-1
Enclosure	brass, nickered
Front cap	PVC, black
Back cap	PVC, black
Connection	Coupling M12 x 1, 4-pole
Cable length	2 m
Degree of protection	IP 67 to IEC/EN 60529
Ambient temperature	-25 °C ... +70 °C
Rated isolation voltage U_i	75 VDC
Rated operating current I_e	0.2 mA
Rated operating voltage U_e	3 ... 5 VDC
Switching distance	s_n 15 mm; s_a 0 ... 12.15 mm; s_r 13.5 mm ... 16.5 mm
Hysteresis	approx. 10 %
Repeatability	< 5 %
Type of installation	non-flush
Switching frequency	see RF 96 ST / RF I/O
Correction factors	Steel (St37) = 1; V2A approx. 0.7; Ms approx. 0.5; Al approx. 0.5; Cu approx. 0.4
Actuator	steel plate 45 x 45 x 1 mm, FE 360
Note	The sensor may only be used in combination with RF 96 ST or RF I/O
Weight	200 g

Errors and omissions excepted.

Contact diagram

