



Wireless universal transmitter

RF 96 ST SW868

Material number: 1206036 (Material number (old): 66800601)

Features/Options

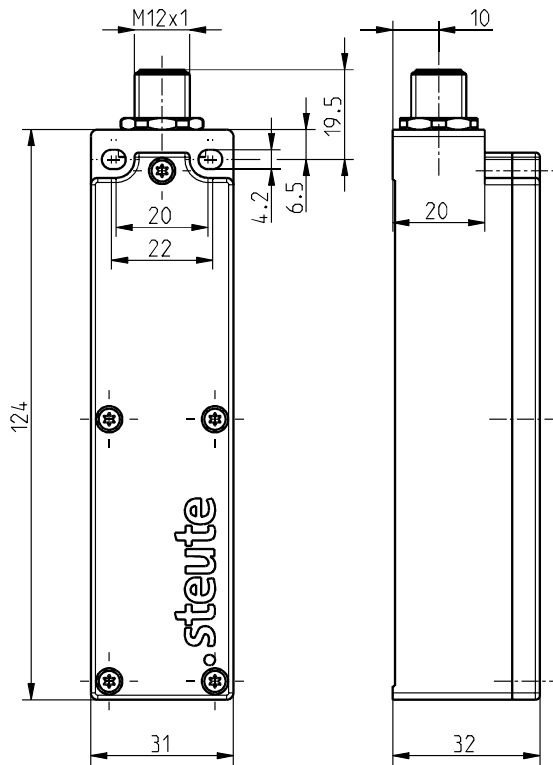
- Thermoplastic enclosure
- Mounting details to EN 50047
- Plug-in connector M12
- sWave® wireless technology

- No wiring and pipe laying required
- Power supply by Lithium battery
- Easy programming of receiver
- Output signal can be individually configured at the receiver

Note

- Application: For the use with wireless sensors, series RF or external NO contacts with gold contacts

Dimensions

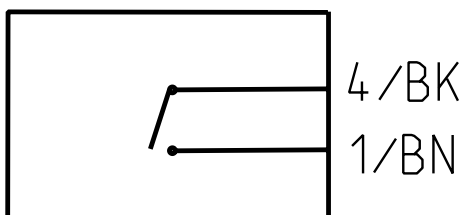


Technical data

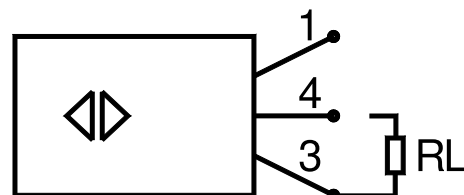
Standards	EN 60947-5-1; EN 61000-6-2; EN 301 489-1; EN 301 489-3; EN 300 220-1, EN 300 220-2
Enclosure	glass-fibre reinforced, shock-proof thermoplastic, self-extinguishing UL 94-V0
Connection	Plug-in connector M12 x 1, 4-pole
Degree of protection	IP 67 to IEC/EN 60529
Protocol	sWave®
Ambient temperature	-20 °C ... +65 °C
Switching frequency	approx. 12000 telegrams at repetitions/h
Switching frequency	max. 5 Hz
Standby current	1.5 µA
Voltage supply	Lithium battery (replaceable)
Capacity	8.5 Ah
Frequency	868.3 MHz
Transmission power	< 25 mW
Data rate	66 kbps
Channel bandwidth	266 kHz
Sensing range	max. 450 m outside, max. 40 m inside
Battery life	according to switch frequency, 1 s approx. 780 days, 10 s approx. 1300 days, 100 s approx. 1400 days
Actuating time	min. 80 ms
Note	transmission of battery voltage

Errors and omissions excepted.

External switch contact



Sensors



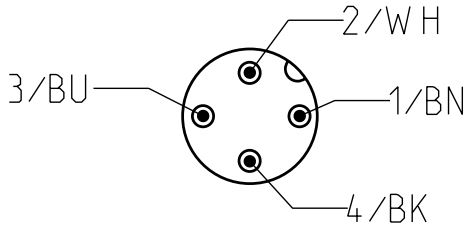


Wireless universal transmitter

RF 96 ST SW868

Material number: 1206036 (Material number (old): 66800601)

Pin assignment



Colour coding only valid for
Coupling 4-poles mat. no. 1215497 and
Coupling 4-poles mat. no. 1262873