



## Position switch with safety function

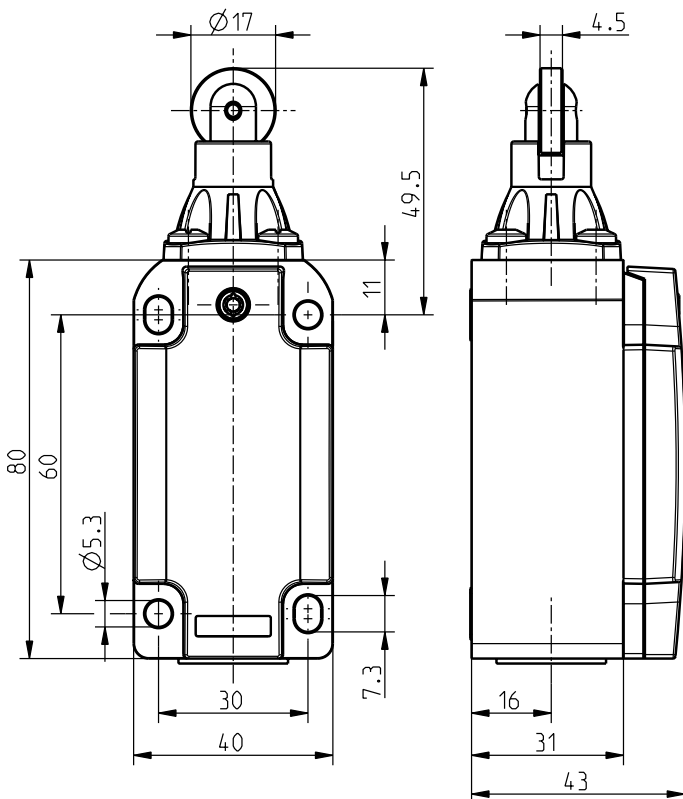
### ES 98 R-02

Material number: 1309801 (Material number old: 9105090001)

#### Features/Options:

- Metal enclosure
- Design to EN 50041
- Slow action  $\ominus$ , 2 NC contacts with double break
- Actuator: Roller plunger R
- Actuator type C to EN 50041
- Actuating speed max. 0.5 m/s with a vertical actuating angle of 30°
- Actuator can be repositioned by 4 x 90°

#### Dimensions



#### Technical data

Standards	EN ISO 13849-1; EN 60947-5-1; EN ISO 14119
Enclosure	aluminium die-cast, powder-coated
Switch type	type 1
Coding level	no coding
Degree of protection	IP 67 to IEC/EN 60529
Contact material	silver
Switching system	slow action, positive break NC contacts $\ominus$
Switching elements	2 NC contacts, type Zb
Connection	screw connection terminals
Cable cross-section	max. 2.5 mm <sup>2</sup> (incl. conductor ferrules)
Cable entry	1 x M20 x 1.5
B <sub>10d</sub> (10 % Load)	2 million
T <sub>M</sub>	max. 20 years
U <sub>imp</sub>	4 kV
U <sub>i</sub>	400 V
I <sub>the</sub>	6 A
I <sub>e</sub> /U <sub>e</sub>	6 A/250 VAC; 0.25 A/230 VDC
Utilisation category	AC-15; DC-13
Max. fuse rating	6 A gG/gN fuse
Mechanical life	> 1 million operations
Operation cycles	1800/h
Ambient temperature	-20 °C ... +80 °C

#### Approvals



Errors and omissions excepted.

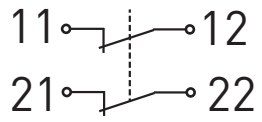


## Position switch with safety function

ES 98 R-02

Material number: 1309801 (Material number old: 9105090001)

Contact diagram



Switching diagram

