



Ex position switch with safety function

Ex ES 98 D-11-3G/D

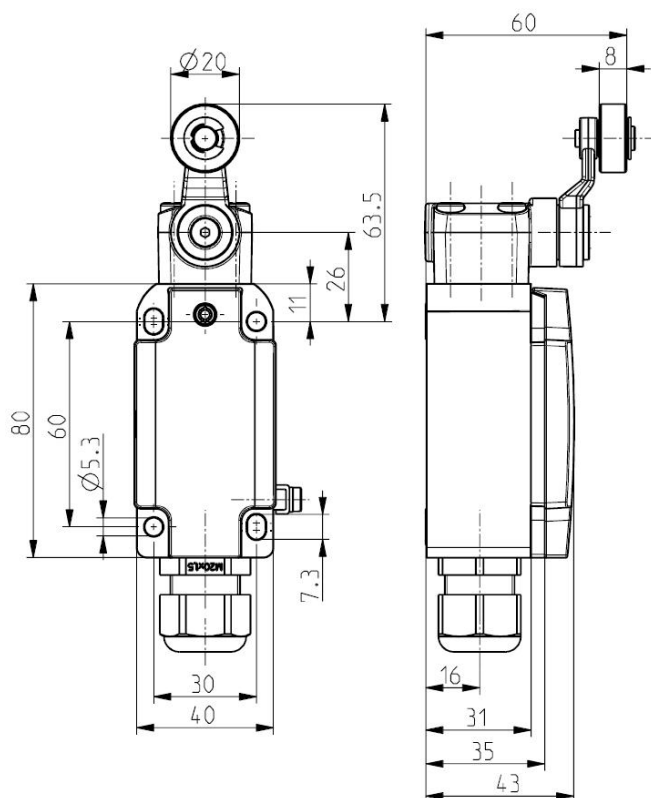
Material number: 1454691

Features/Options

- Ex zone 2 and 22
- Metal enclosure
- Design to EN 50041
- Wiring compartment
- Actuator: Rocking lever D

- Actuator type A to EN 50041
- Actuating speed max. 2.5 m/s with a vertical actuating angle of 30°
- Wear resistant plastic roller
- Lever angle adjustable in 10° steps
- Actuator can be repositioned by 4 x 90°

Dimensions

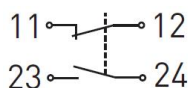


Technical data

Standards	EN 60947-5-1, EN 60079-0, EN 60079-1, EN 60079-7, EN 60079-31
Design	EN 50041
Enclosure	Corrosion-resistant aluminium, powder-coated, similar to RAL 7016
Cover	Corrosion-resistant aluminium, powder-coated, similar to RAL 1003
Switch type	type 1
Coding level	no coding
Degree of protection	IP 67 to IEC/EN 60529
Contact material	silver
Switching system	slow action, positive break NC contacts
Switching elements	1 NC/1 NO contact, type Zb
Connection	screw connection terminals
Cable cross-section	max. 1.5 mm ² (incl. conductor ferrules)
Cable entry	1 x M20 x 1.5 for cable diameter 5 ... 9 mm
B _{10d} (10 % Load)	2 million
T _M	max. 20 years
U _{imp}	4 kV
U _i	250 V
I _{the}	6 A
I _e / U _o	6 A/250 VAC; 0.25 A/230 VDC
Utilisation category	AC-15; DC-13
Max. fuse rating	6 A gG/gN fuse
Ambient temperature	T ₆ : - 20° C ... + 40° C T ₅ : - 20° C ... + 60° C
Mechanical life	> 1 million operations
Operation cycles	1800/h
Repeat accuracy of switching	± 0.1 mm points
Ex marking	II 3G Ex dc ec IIC T ₆ /T ₅ Gc, II 3D Ex tc IIIC T ₈₀ °C/T ₉₅ °C Dc

Errors and omissions excepted.

Contact diagram



Switching diagram

