

B450TLA LED Traffic Light

The B450 series of traffic light beacons are available in single E27 filament lamp, dual E14 filament lamp or high output L.E.D array versions.

The Spectra family of visual and audible signals are optimised solutions for all general applications: traffic management, access control, status indication and process monitoring safety warning. Environments include manufacturing, warehousing, aviation hangars, perimeters and tunnels.

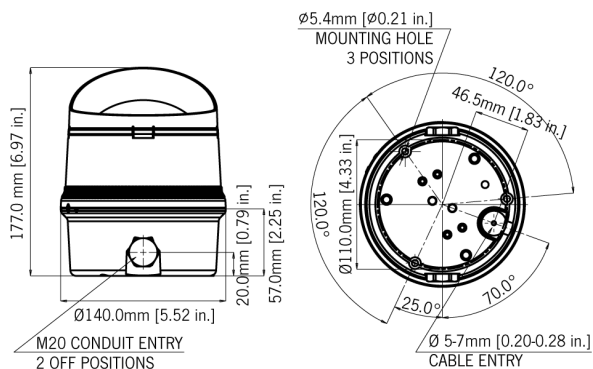
Features

- Bayonet fixing lens.
- Anti-tamper locking screw.
- Stainless steel fixings.

Approvals

- GOST-R certificate: POCC GB.JB05.H00144.





Specification

Light source:	High output L.E.D.
Light output:	24 x L.E.D. array
Function:	Permanent
L.E.D. colours:	Amber, Blue, Green, Red & White
Peak/Effective Intensity cd:	89 cd* - measured ref. to I.E.S.
Lens type:	Prismatic
Mounting:	Surface mount (Wall mount bracket available)
Entries:	1 x 5-7mm push through grommet 2 x M20 cable entry
Dimensions:	ø140 x 177mm
Ingress protection:	IP65
Housing material:	High impact UL94 V0 (f1) PC
Terminals:	0.5 to 4.0mm ²
Operating temp:	-25 to +50°C [-13° to +122°F]
Storage temp:	-40 to +70°C [-40° to 158°F]
Relative humidity:	90% at 20°C [68°F]

*Candela measurements representative of performance with clear lens at optimum voltage.

Part Codes

|_Version: |_.Part code: | |10-30V dc | B450TLA030B/[x] | |90-230V ac
50/60Hz | B450TLA230B/[x] | | [x] = Lens colour: | A: Amber

B: Blue

G: Green

R: Red

W: White | | \2.Note: B450TLA units are supplied with 'clear' lenses to maximise the light output in environments with high ambient light levels. |

Current Consumption

Version:	Current mA:
10-30V dc	175mA
90-230V ac 50/60Hz	15-40mA