

MBLD2 Multi-function LED Beacon

The MBLD2 is a multi-function L.E.D. beacon featuring a robust, fire retardant, IP66 & IP67 enclosure; suitable for the harshest of environments.

The MBLD2 LED status light & beacon utilises an array of high power Cree® LED's, orientated to optimise visibility in any direction. The beacon can be configured as a steady beacon for status indicator use, with a light output of up to 87 candela. Alternatively one of the five flashing modes, with a light output of up to 160 candela, may be used for warning applications. DC voltage versions feature three remotely selectable stages enabling multiple warnings to be signalled from one device. The UV stable colour filter enhances the light output and is field replaceable.

Features

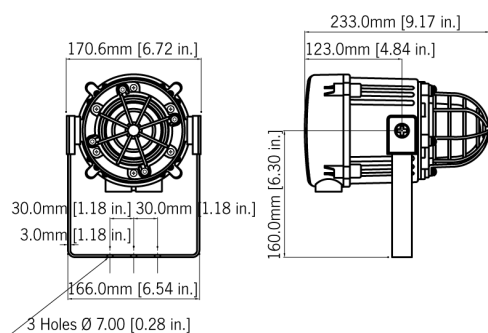
- Continuously rated.
- Large termination area.
- Stainless steel fixings.
- Ratchet adjustable stainless steel 'U' bracket for 360° positioning.
- Duplicate cable terminations (in & out for daisy-chain installations).
- Field replaceable UV stable coloured lens filters.
- Tropicalisation available on request.
- Array of 4 x high power Cree® LED's
- Modes: 1Hz flash (60 fpm)
1.5Hz flash (90 fpm)
2 Hz flash (120 fpm)
Double strike flash
Triple strike flash
High Power Steady
Low Power Steady
- Eff. Intensity cd: 87 cd - High Power Steady
- Eff. Intensity cd: 160 cd - 1Hz flash
- Ingress protection: IP66/67 Type 4/4X/13



Approvals

- EAC compliant: POCC GB.JB05.H00144.
- Russian Maritime Register





Specification

Source:	Array of 4 x High Power Cree® LED's
Modes:	1Hz flash (60 fpm) 1.5Hz flash (90 fpm) 2Hz flash (120 fpm) Double strike flash Triple strike flash High Power Steady Low Power Steady
Eff. Intensity cd:	87 cd - High Power Steady
Eff. Intensity cd:	160 cd - 1Hz flash
Lens colours:	Amber, Blue, Clear, Green, Magenta, Red & Yellow
Voltages DC:	24V dc (18-54V dc)
Voltages AC:	115V ac; 230V ac
Ingress protection:	IP66/67 Type 4/4X/13
Enclosure matl:	High impact UL94 V0 & 5VA FR ABS
Lens material:	Borosilicate glass dome with PC prismatic lens colour filter
Guard:	Stainless Steel dome guard as standard
Colour:	RAL7038 Grey (others available on request)
Cable entries:	Dual M20x1.5 or 1/2"NPT
Terminals:	0.5 - 2.5mm ² (20-14 AWG)
Line monitoring:	Blocking diode included EOL can be factory fitted
LED life:	60,000 hours
Operating temp:	-25 to +55°C [-13 to +131°F]
Storage temp:	-40 to +70°C [-40 to +158°F]
Relative humidity:	90% at 20°C [68°F]
Weight:	1.48kg/3.25lbs
*All candela data is representative of performance with clear lens at optimum voltage.	

Part Codes

Part Code:	Ident.:	Description:
Product type:	MBLD2	Multi-function LED Beacon
Voltage:	AC115 AC230 DC024	115V ac 50/60Hz 230V ac 50/60Hz 24V dc (18-54Vdc)
Cable entries:[e]	A B C	M20x1.5 & ½" NPT M20x1.5 & M20x1.5 ½" NPT & ½" NPT
Stopping plug material: [m]	N	Nylon
Bracket & Guard: [s]	1 2	304 (A2) Stainless Steel 316 (A4) Stainless Steel
Version: [v]	A1	CE, EAC & Russian Maritime
Enclosure: [x]	G	Grey
Lens colour: [y]	A, B, C G, M, R Y	Amber, Blue, Clear Green, Magenta, Red Yellow
NOTE:	The MBL2 supersedes the MBL1 LED beacon	

Current Consumption

Version:	Voltage:	Steady High Power Current:	Steady Low Power Current:	Flashing 1Hz Current:
24V dc	18-54V dc	240mA	134mA	110mA
115V ac	103.5-126.5V ac 50/60Hz	95mA	78mA	90mA
230V ac	207-253V ac 50/60Hz	48mA	37mA	45mA

Multi-function patterns

Stage 1: [On board]	Stage 2: [Remote - DC only]	Stage 3: [Remote - DC only]
Steady High Power	Flashing 1Hz	Triple Strike
Steady Low Power	Flashing 1Hz	Triple Strike
Flashing 1Hz	2x Flash 2Hz	Triple Strike
Flashing 1.5Hz	Flashing 2Hz	Double Strike
Flashing 2Hz	Triple Strike	Triple Strike
Double Strike	Steady High Power	Triple Strike
Triple Strike	Flashing 2Hz	Double Strike 3 Aug 2017