

# ML15 PA Horn Loudspeaker

The ML15 15W PA loudspeaker features a robust, fire retardant, IP66 & IP67 housing; suitable for harsh environments with high ambient noise levels.

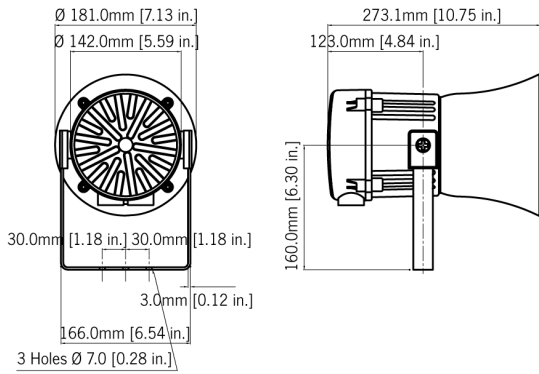
## Features

- Continuously rated.
- Large termination area.
- Stainless steel fixings.
- Ratchet adjustable stainless steel 'U' bracket for 360° positioning.
- Duplicate cable terminations (in & out for daisy-chain installations).
- Tropicalisation available on request.

## Approvals

- GOST-R approved. Cert: POCC GB-JB05-H00144





## Specification

SPL: 108dB +/-3dB @ 1w @ 1m - Pink noise  
118dB +/-3dB @ 15w @ 1m

Rated power: 15 Watts RMS

70v line tapings: 15w / 7.5w / 3w / 1w  
(z=336.67 Ohms / 653.33 Ohms /  
1.6kOhms / 4.9kOhms)

100v line tapings: 15w / 7.5w / 3w / 1w  
(z=666.87 Ohms / 1.34kOhms /  
3.34kOhms / 10kOhms)

Low impedance: 8 Ohm or 16 Ohm

Dispersion: 120° @ 1kHz & 32° @ 4kHz

Frequency range: 400Hz to 8000 Hz

DC Line monitoring: 2.2uF Capacitor (Transformer version)  
470uF Capacitor  
(Low impedance version)

Ingress protection: IP66 & IP67 (Third party tested)

Housing material: High impact UL94 V0 & 5VA FR ABS

Colour: Grey (RAL7038)

Cable entries: 2 x M20 supplied with 1 blanking plug

Terminals: 0.5 to 4.0mm<sup>2</sup> cables.

Operating temp: -25 to +55°C [-13° to +131°F]

Storage temp: -40 to +70°C [-40° to +158°F]

Relative humidity: 90% at 20°C [68°F]

Weight: 70/100v line: 2.60kg/5.72lbs  
Low impedance: 2.20kg/4.84lbs

\*SPL data +/-3dB(A). Measured at optimum voltage.

## Part Codes

Version:	Part code:
100V Line	ML15W100V
70V Line	ML15W70V
16 Ohm	ML15W16R
8 Ohm	ML15W8R