



DNH

HEAD OFFICE, NORWAY

DNH AS

Phone..... + 47 35 98 56 00
 Fax..... + 47 35 98 56 10
 E-mail..... dnh@dnh.no
 Web-Site..... www.dnh.no

ENGLAND

DNH WW Ltd

Phone..... + 44 1908 275 000
 Fax..... + 44 1908 275 100
 E-mail..... dnh@dnh.co.uk

GERMANY

DNH GmbH

Phone... + 49 040 6569 30-0
 Fax..... + 49 040 6569 30-30
 E-mail..... dnh@dnh.de

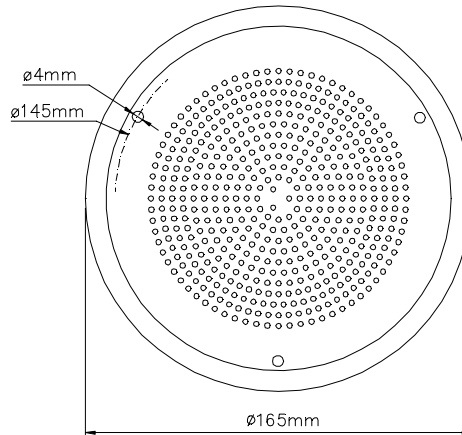
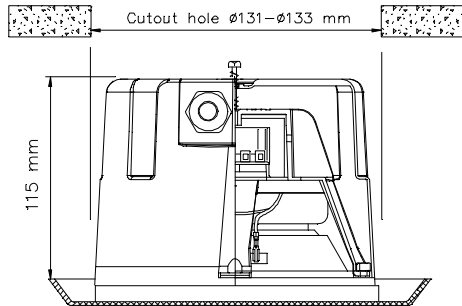
USA

DNH Speakers Inc

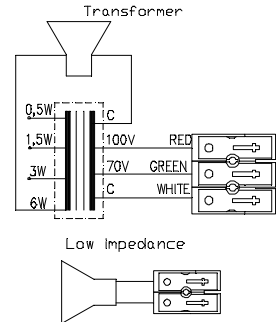
Phone..... + 1 484 494 5790
 Fax..... + 1 484 494 5793
 E-mail..... dnh@dnhspeakers.com

ISO 9001 CERTIFIED

BF-560(T)



CIRCUIT DIAGRAM



70/100 Volt combined transformer
 Primary connections

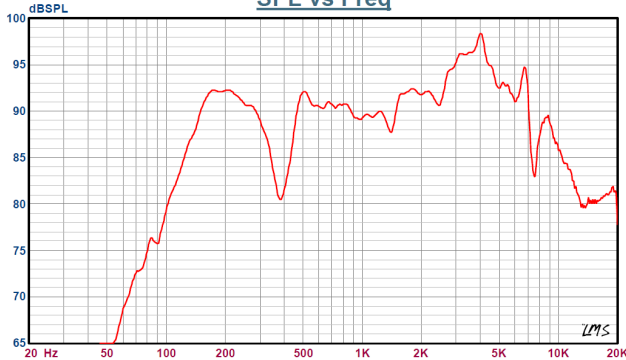
White : Green 70 V
 White : Red 100 V

Secondary nominal tappings

C : 6W	6,0 W
C : 3W	3,0 W
C : 1,5W	1,5 W
C : 0,5W	0,5 W

Sound pressure levels at 1W/1m w/P-5/15 T

SPL vs Freq



Specifications

Material / Color	Aluminum/RAL9010, box in PA-6 V0
Mounting	3 screws
Termination	Spring clamps
Weight w/transformer	0,73 kg
IP-rating	22
Max. / min. amb. temp	90°C / -20°C
Rated power	6 W
SPL 1W/1m	90 dB
SPL rated power	97 dB
Effective freq. range	140 – 20000 Hz
Dispersion (-6dB) 1kHz / 4kHz	160° / 55° (baffle)
Options	Impedances, colors, labels

Installation, Operation and Maintenance Procedures

- Lead cable through cable gland, connect to terminal (70V or 100V) and select required tapping into the transformer.
- Install box onto loudspeaker by one screw and fit complete loudspeaker into ceiling by 3 screws.
- For optimum performance, always use the correct voltage / power and operate within the frequency limits as stated.
- Do not open loudspeaker when energized.
- This loudspeaker is supplied with two years warranty against defective workmanship.

DNH reserves the right to alter specifications without notice

