



Ex position switch with safety function

Ex 95 D 1Ö/1S

Material number: 1158673 (Material number (old): 95021301)

Features/Options

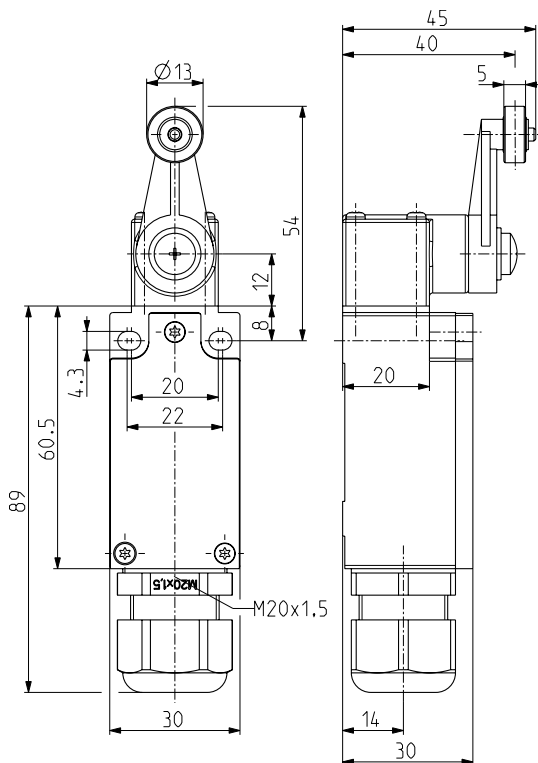
- Ex zone 1 and 21
- Thermoplastic enclosure
- Design to EN 50047
- Slow action \ominus , change-over contact with double break
- Wiring compartment
- Double insulated \square

- Actuator: Rocking lever D
- Lever angle adjustable in 10° steps
- Wear-resistant plastic roller
- Actuator can be repositioned by 4 x 90°
- N.B.: Please state required approvals for Russia and North America with your order!

Note

- With metal roller available on request

Dimensions



Technical data

Standards	EN 60947-5-1; EN 60079-0, EN 60079-1, EN 60079-7, EN 60079-31, EN ISO 13849-1
Design Enclosure	EN 50047 glass-fibre reinforced, shock-proof thermoplastic, self-extinguishing UL 94-V0
Switch insert	Ex 95
Degree of protection	IP 67 to IEC/EN 60529
Contact material	silver
Switching system	slow action, positive break NC contacts \ominus
Switching elements	change-over contact with double break Zb, galvanically separated contact bridges
Connection	screw connection terminals
Cable cross-section	max. 1.5 mm ² (incl. conductor ferrules)
Cable entry	1 x M20 x 1.5 for cable diameter 5 ... 9 mm
B_{10d} (10 % Load)	2 million
T_M	max. 20 years
U_{imp}	4 kV
U_i	250 V
I_{the}	6 A
I_e/U_e	6 A/250 VAC; 0.25 A/230 VDC
Utilisation category	AC-15; DC-13
Max. fuse rating	6 A gG/gN fuse
Ambient temperature	-20 °C ... +60 °C
Mechanical life	> 1 million operations
Frequency of operation	1800/h
Repeat accuracy of switching points	± 0.1 mm
Contact opening	max. 2 x 3.5 mm
Ex marking	\square II 2G Ex de IIC T5 Gb, \square II 2D Ex tb IIIC T80°C Db IP67 IECEx Ex de IIC T5 Gb, Ex tb IIIC T80°C Db



Ex position switch with safety function

Ex 95 D 1Ö/1S

Material number: 1158673 (Material number (old): 95021301)

Technical data

Approvals

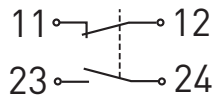
DMT 01 ATEX E 118
IECEX BVS 14.0018X

Weight

ERC Ex  US
100 g

Errors and omissions excepted.

Contact diagram



Switching diagram

