



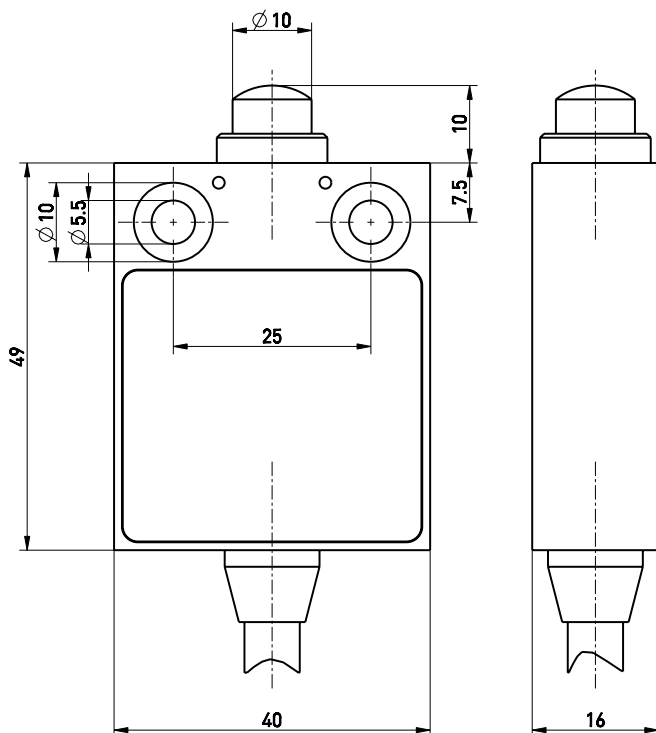
## Ex position switch Ex 13

### Features/Options

- Ex zone 1 and 21
- Thermoplastic enclosure
- Double insulated
- Slow action  $\ominus$ , change-over contact with double break
- Slow action available with contact overlapping
- Suitable for in-line mounting

- With pre-wired cable
- Special cables available on request
- Gold-plated contacts available on request
- Special version only for dust Ex zone 22 available
- N.B.: Please state required approvals for Russia, China, Brazil and North America with your order!

### Dimensions



### Technical data

<b>Standards</b>	EN 60947-5-1; EN 60079-0, EN 60079-1, EN 60079-31; EN ISO 13849-1
<b>Enclosure</b>	glass-fibre reinforced, shock-proof thermoplastic, self-extinguishing UL 94-V0 IP 65 to IEC/EN 60529
<b>Degree of protection</b>	IP 65 to IEC/EN 60529
<b>Contact material</b>	silver
<b>Switching system</b>	slow action, positive break
<b>Switching elements</b>	NC contacts $\ominus$ change-over contact with double break Zb, galvanically separated contact bridges
<b>Connection</b>	cable H05VV-F, 4 x 0.75 mm <sup>2</sup>
<b>B<sub>10d</sub> (10 % Load)</b>	2 million
<b>T<sub>M</sub></b>	max. 20 years
<b>U<sub>imp</sub></b>	4 kV
<b>U<sub>i</sub></b>	250 V
<b>I<sub>the</sub></b>	T6: 6 A, T5: 3 A
<b>I<sub>e</sub>/U<sub>e</sub></b>	6 A/250 VAC; 0.25 A/230 VDC
<b>Utilisation category</b>	AC-15; DC-13
<b>Max. fuse rating</b>	6 A gG/gN fuse
<b>Ambient temperature</b>	T6: -20 °C ... +65 °C, T5: -20 °C ... +95 °C
<b>Mechanical life</b>	> 1 million operations
<b>Frequency of operation</b>	1800/h
<b>Repeat accuracy of switching points</b>	± 0.1 mm
<b>Contact opening</b>	max. 2 x 4 mm
<b>Ex marking</b>	$\text{Ex}$ II 2G Ex d IIC T6/T5 Gb, $\text{Ex}$ II 2D Ex tb IIIC T80 °C/T95 °C Db IP65 IECEx Ex d IIC T6/T5 Gb, Ex tb IIIC T80 °C/T95 °C Db IP65 PTB 03 ATEX 1068 X IECEx PTB 06.0053X
<b>Approvals</b>	



Errors and omissions excepted.



## Ex position switch Ex 13

### Ordering details

#### Plunger

\* with safety function



#### Type

Ex 13 IÖ/1S - 2m \*  
Ex 13 IÖ/1S - 5m \*  
Ex 13 IÖ/1S - 10m \*

#### Material no.

1053444  
1044864  
1044865

#### Plunger with collar W

\* with safety function



#### Type

Ex 13 W IÖ/1S - 2m \*  
Ex 13 W IÖ/1S - 5m \*  
Ex 13 W IÖ/1S - 10m \*

#### Material no.

1044934  
1044933  
1179638

#### Plunger for front mounting F

\* with safety function



#### Type

Ex 13 F IÖ/1S - 2m \*  
Ex 13 F IÖ/1S - 5m \*  
Ex 13 F IÖ/1S - 10m \*

#### Material no.

1189142  
1045227  
on request

#### Ball plunger KU

\* with safety function



#### Type

Ex 13 KU IÖ/1S - 2m \*  
Ex 13 KU IÖ/1S - 5m \*  
Ex 13 KU IÖ/1S - 10m \*

#### Material no.

1170833  
1044955  
1044954



## Ex position switch Ex 13

### Ordering details

Ball plunger with collar WKU

\* with safety function



Type

Ex 13 WKU 1Ö/1S - 2m \*

Ex 13 WKU 1Ö/1S - 5m \*

Ex 13 WKU 1Ö/1S - 10m \*

Material no.

1189146

1189145

1053810

Ball plunger for front mounting FKU

\* with safety function



Type

Ex 13 FKU 1Ö/1S - 2m \*

Ex 13 FKU 1Ö/1S - 5m \*

Ex 13 FKU 1Ö/1S - 10m \*

Material no.

1189147

1171974

on request

Roller plunger R

\* with safety function



Type

Ex 13 R 1Ö/1S - 2m \*

Ex 13 R 1Ö/1S - 5m \*

Ex 13 R 1Ö/1S - 10m \*

Material no.

1044995

1044998

1045003



## Ex position switch Ex 13

### Ordering details

Roller plunger with collar WR

\* with safety function



Type

Ex 13 WR 1Ö/1S - 2m \*  
Ex 13 WR 1Ö/1S - 5m \*  
Ex 13 WR 1Ö/1S - 10m \*

Material no.

1045061  
1045064  
1045066

Roller plunger for front mounting FR

\* with safety function



Type

Ex 13 FR 1Ö/1S - 2m \*  
Ex 13 FR 1Ö/1S - 5m \*  
Ex 13 FR 1Ö/1S - 10m \*

Material no.

1189148  
1189150  
on request

Roller lever with collar WH

\* with safety function



Type

Ex 13 WH 1Ö/1S - 2m \*  
Ex 13 WH 1Ö/1S - 5m \*  
Ex 13 WH 1Ö/1S - 10m \*

Material no.

1045100  
1045101  
1045114



## Ex position switch Ex 13

### Ordering details

Long roller lever with collar WHL

\* with safety function



Type

Ex 13 WHL 1Ö/1S - 2m \*  
Ex 13 WHL 1Ö/1S - 5m \*  
Ex 13 WHL 1Ö/1S - 10m \*

Material no.

1045126  
1045130  
1045138

Offset roller lever with collar WHK



Type

Ex 13 WHK 1Ö/1S - 2m  
Ex 13 WHK 1Ö/1S - 5m  
Ex 13 WHK 1Ö/1S - 10m

Material no.

1189153  
1045151  
1051579

Parallel roller lever with collar WPH

\* with safety function



Type

Ex 13 WPH 1Ö/1S - 2m \*  
Ex 13 WPH 1Ö/1S - 5m \*  
Ex 13 WPH 1Ö/1S - 10m \*

Material no.

1189156  
1045166  
1045167



## Ex position switch Ex 13

### Ordering details

#### Rocking lever D

\* with safety function



#### Type

Ex 13 D 10/1S - 2m \*  
Ex 13 D 10/1S - 5m \*  
Ex 13 D 10/1S - 10m \*

#### Material no.

1189157  
1052253  
1045173

#### Long rocking lever DL

\* with safety function



#### Type

Ex 13 DL 10/1S - 2m \*  
Ex 13 DL 10/1S - 5m \*  
Ex 13 DL 10/1S - 10m \*

#### Material no.

1189163  
1045189  
1164968

#### Adjustable rocking lever DS



#### Type

Ex 13 DS 10/1S - 2m  
Ex 13 DS 10/1S - 5m  
Ex 13 DS 10/1S - 10m

#### Material no.

1177362  
1045194  
1045197



## Ex position switch Ex 13

### Ordering details

#### Rod lever DD



Type  
Ex 13 DD 1Ö/1S - 2m  
Ex 13 DD 1Ö/1S - 5m  
Ex 13 DD 1Ö/1S - 10m

Material no.  
1177841  
1177859  
on request

#### Long spring rod TL



Type  
Ex 13 TL 1Ö/1S - 2m  
Ex 13 TL 1Ö/1S - 5m  
Ex 13 TL 1Ö/1S - 10m

Material no.  
1189165  
1181045  
on request

#### Spring rod with steel tip TF



Type  
Ex 13 TF 1Ö/1S - 2m  
Ex 13 TF 1Ö/1S - 5m  
Ex 13 TF 1Ö/1S - 10m

Material no.  
1045202  
1045204  
1183498



## Ex position switch Ex 13

### Ordering details

Spring rod with plastic tip TK



Type

Ex 13 TK 1Ö/1S - 2m  
Ex 13 TK 1Ö/1S - 5m  
Ex 13 TK 1Ö/1S - 10m

Material no.

1189166  
1045211  
1045214





## Ex position switch Ex 13

### Options

Cable entry on side S



Mechanical latching V  
(locking by actuation, unlocking by pulling  
the unlocking button)

