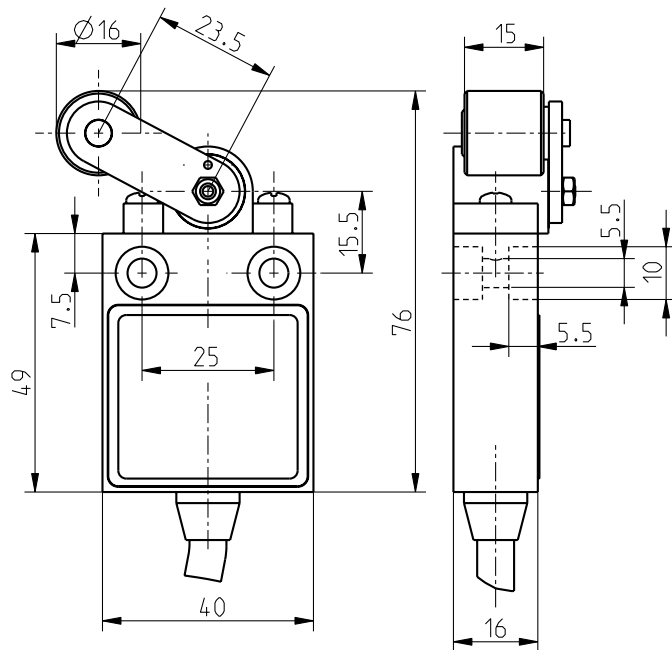
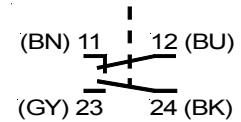


Dimensional drawing**Circuit diagram****Technical data:**

Regulations:	IEC 60947-5-1 / EN 60947-5-1 BG-GS-ET 15 EN 60079-0, EN 60079-1, EN 60079-31
Enclosure:	shockproof thermoplastic, self extinguishing UL 94-V0
Protection:	IP 65 as per EN 60529
Switching element:	1 NC + 1 NO
Contact material:	fine silver
Switching system:	slow action, positive break normally closed contact
Temperature range:	-25 °C to +65 °C
Connection:	moulded cable, H05 VV-F 4 x 0,75 mm ² , 2 m
Actuation:	Roller lever
Fixing:	provided for M5
Fixing distance:	25 mm
Electrical design:	IEC 60947-5-1, contact elements electrically insulated against each other
Electrical load:	250 VAC 6 A (AC-11) 230 VDC 0,25 A (DC-11) 24 VDC 4 A (DC-13)
Mechanical life:	> 1 million operations
Switching frequency:	max. 1800 operations
B _{10d} (10% load):	2 million
T _M :	max 20 years
Repeating accuracy:	± 0,1 mm
Explosion protection:	II 2G Ex d IIC T6/T5 Gb II 2D Ex tb IIIC T80°C/T95°C Db IP65
Test certificate:	PTB 03 ATEX 1068 X

Specification:

- special roller lever

Part No.: 13.0.21.9.09 (1045182)