



Ex position switch with safety function

Ex 61 WHL 1Ö/1S - 15m

Material number: 1181258 (Material number (old): 61016302)

Features/Options

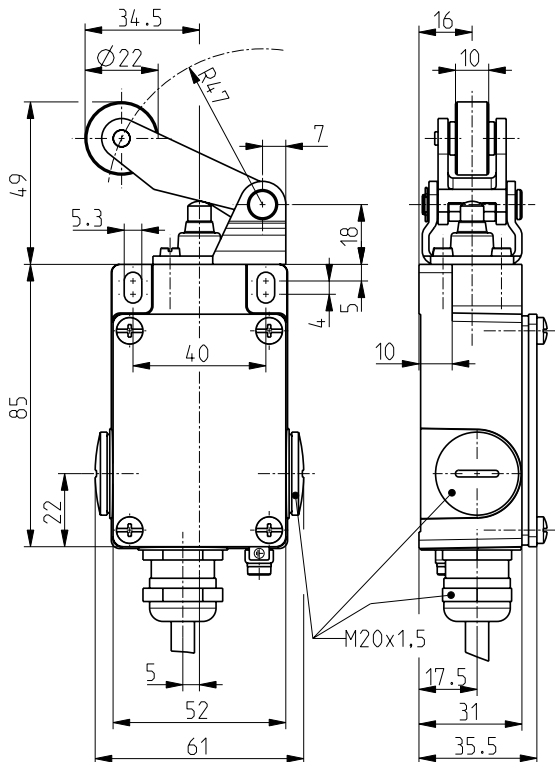
- Ex zone 1 and 21
- Metal enclosure
- Slow action, change-over contact with double break
- With pre-wired cable, cable length 15 m
- Actuator: Long roller lever with collar WHL

Notes

- Actuation from the left should be avoided since this reduces the mechanical life of the position switch.
- Actuator can be repositioned by 4 x 90° on request
- With metal roller available on request

- Actuating speed max. 0.5 m/s with a vertical actuating angle of 30°
- Wear-resistant plastic roller
- Watertight collar for protection against penetration of dirt
- N.B.: Please state required approvals for Russia, Brazil and North America with your order!

Dimensions



Technical data

Standards	EN 60947-5-1; EN 60079-0, EN 60079-1, EN 60079-31; EN ISO 13849-1
Enclosure	aluminium die-cast, enamel finish
Cover	steel, enamel finish
Switch insert	Ex 14
Degree of protection	IP 65 to IEC/EN 60529
Contact material	silver
Switching system	slow action, positive break NC contacts ⊖
Switching elements	change-over contact with double break Zb, galvanically separated contact bridges
Connection	cable H05VV-F, 4 x 0.75 mm ²
Cable length	3 m
B_{10d} (10 % Load)	2 million
T_M	max. 20 years
U_{imp}	4 kV
U_i	250 V
I_{the}	T6: 6 A, T5: 3 A
I_e/U_e	6 A/250 VAC; 0.25 A/230 VDC
Utilisation category	AC-15; DC-13
Max. fuse rating	6 A gG/gN fuse
Ambient temperature	T6: -20 °C ... +65 °C, T5: -20 °C ... +95 °C
Mechanical life	> 1 million operations
Frequency of operation	1800/h
Repeat accuracy of switching points	± 0.1 mm
Contact opening	max. 2 x 4.5 mm
Ex marking	⊕ II 2G Ex d IIC T6/T5 Gb, ⊕ II 2D Ex tb IIIC T80 °C/T95 °C Db IECEx Ex d IIC T6/T5 Gb, Ex tb IIIC T80 °C/T95 °C Db
Approvals	PTB 03 ATEX 1070 X* IECEx PTB 06.0098X*



*referring to the switch insert



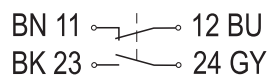
Ex position switch with safety function

Ex 61 WHL 1Ö/1S - 15m

Material number: 1181258 (Material number (old): 61016302)

Errors and omissions excepted.

Contact diagram



Switching diagram

