

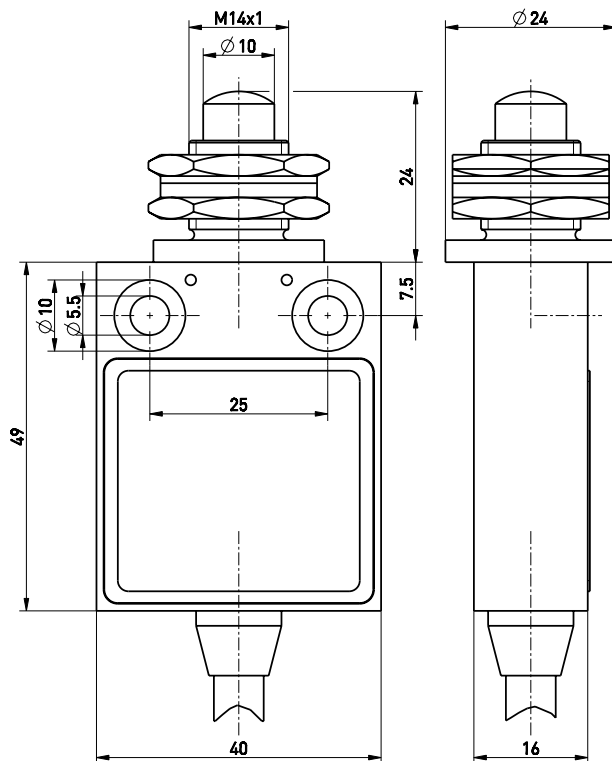
Position switches with safety function // ES 13 F 10/1S-1m Order no.: 13047001

Features/Options

- Thermoplastic enclosure
- Double insulated \square
- Slow action \ominus , change-over contact with double break
- Suitable for in-line mounting

- With pre-wired cable, cable length 1 meter
- Actuator: Plunger with front mounting F
- Actuating speed max. 0.5 m/s with an actuating angle of 0°

Dimensions

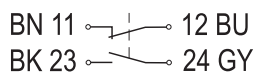


Technical data

Standards	EN ISO 13849-1; IEC/EN 60947-5-1
Enclosure	glass-fibre reinforced, shock-proof thermoplastic, self-extinguishing UL 94-V0
Degree of protection	IP 67 to IEC/EN 60529
Contact material	Silver
Switching system	slow action, positive break NC contact \ominus
Switching elements	change-over contact with double break Zb, galvanically separated contact bridges
Connection	cable H05VV-F
Cable section	4 x 0.75 mm ²
B_{10d} (10% Load)	2 million
T_M	max. 20 years
U_{imp}	4 kV
U_i	250 V
I_{the}	6 A
I_e/U_e	6 A/250 VAC; 0.25 A/230 VDC
Utilisation category	AC-15, DC-13
Max. fuse rating	6 A gL/gG D-fuse
Ambient temperature	-20 °C ... +75 °C
Mechanical life	> 1 million operations
Switching frequency	1800/h
Repeat accuracy of switching points	±0.1 mm
Impact resistance/	max. 2 x 4 mm
Contact opening	
Weight	165g

Errors and omissions excepted.

Contact diagram



Switching diagram

