

## Safety switches for hinged guard doors

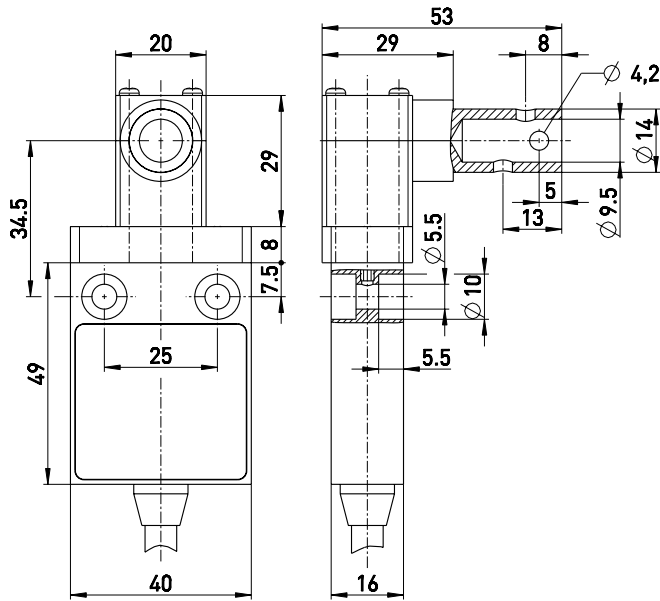
// ES 13 SB 10/1S-1m - 9.5 mm Order no.: 13054001

### Features/Options

- Thermoplastic enclosure
- Double insulated
- Slow action  $\ominus$ , change-over contact with double break

- With pre-wired cable, cable length 1 meter
- Shaft bore  $\varnothing$  9.5 mm

### Dimensions

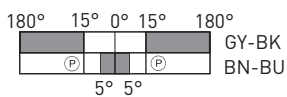


### Technical data

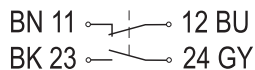
Standards	EN ISO 13849-1; IEC/EN 60947-5-1; EN 1088; BG-GS-ET-15
Enclosure	glass-fibre reinforced, shock-proof thermoplastic, self-extinguishing UL 94-V0 stainless steel 1.4301
Actuator	
Degree of protection	IP 67 to IEC/EN 60529
Contact material	silver
Switching system	slow action, positive break NC contact $\ominus$
Switching elements	Change-over contact with double break Zb, galvanically separated contact bridges
Connection	cable H05VV-F
Cable section	4 x 0,75 mm <sup>2</sup>
B <sub>10d</sub> (10% Load)	2 million
T <sub>M</sub>	max. 20 years
U <sub>imp</sub>	4 kV
U <sub>i</sub>	250 V
I <sub>the</sub>	6 A
I <sub>e</sub> /U <sub>e</sub>	6 A/250 VAC; 4 A/24 VDC
Utilisation category	AC-15, DC-13
Max. fuse rating	6 A gL/gG D-fuse
Ambient temperature	-20 °C ... +75 °C
Mechanical life	> 1 million operations
Weight	150g

### Switching diagram

Slow action  
1 NC/1 NO contact



### Contact diagram



Errors and omissions excepted.