



## Ex position switch with safety function Ex 95 WHKM 10/1S IP 66 Material number: 1395172

### Features/Options

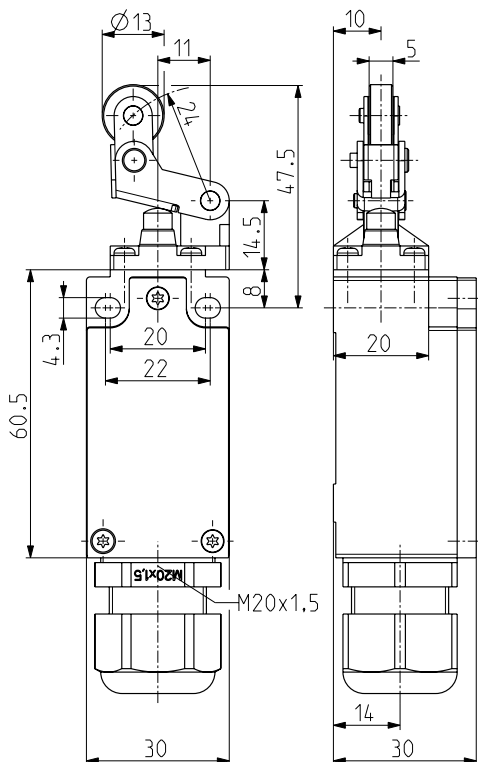
- Ex zone 1 and 21
- Thermoplastic enclosure
- Design to EN 50047
- Slow action  $\ominus$ , change-over contact with double break
- Wiring compartment
- Double insulated  $\square$
- Actuator: Offset metal roller lever with collar WHKM
- Niro screws, Niro axes and metal roller lever DURNI-coated

### Note

- With metal roller available on request

- Actuating speed max. 0.5 m/s with a vertical actuating angle of 40°
- Watertight collar for protection against penetration of dirt
- Wear-resistant plastic roller
- Actuator can be repositioned by 4 x 90°
- Actuation only possible from right-hand side
- Free movement of actuator from left-hand side
- N.B.: Please state required approvals for Russia, China and North America with your order!

### Dimensions



### Technical data

<b>Standards</b>	EN 60947-5-1; EN 60079-0, EN 60079-1, EN 60079-7, EN 60079-31; EN ISO 13849-1; EN ISO 14119
<b>Design Enclosure</b>	EN 50047 glass-fibre reinforced, shock-proof thermoplastic, self-extinguishing UL 94-V0
<b>Switch type</b>	Type 1
<b>Coding level</b>	low coding
<b>Switch insert</b>	Ex 95
<b>Degree of protection</b>	IP 67 to IEC/EN 60529
<b>Contact material</b>	silver
<b>Switching system</b>	slow action, positive break NC contacts $\ominus$
<b>Switching elements</b>	change-over contact with double break Zb, galvanically separated contact bridges
<b>Connection</b>	screw connection terminals
<b>Cable cross-section</b>	max. 1.5 mm <sup>2</sup> (incl. conductor ferrules)
<b>Cable entry</b>	1 x M20 x 1.5 for cable diameter 5 ... 9 mm
<b>B<sub>10d</sub> (10 % Load)</b>	2 million
<b>T<sub>M</sub></b>	max. 20 years
<b>U<sub>imp</sub></b>	4 kV
<b>U<sub>i</sub></b>	250 V
<b>I<sub>the</sub></b>	6 A
<b>I<sub>e</sub>/U<sub>e</sub></b>	6 A/250 VAC; 0.25 A/230 VDC
<b>Utilisation category</b>	AC-15; DC-13
<b>Max. fuse rating</b>	6 A gG/gN fuse
<b>Ambient temperature</b>	-20 °C ... +60 °C
<b>Mechanical life</b>	> 1 million operations
<b>Operation cycles</b>	1800/h
<b>Repeat accuracy of switching points</b>	± 0.1 mm
<b>Contact opening</b>	max. 2 x 3.5 mm
<b>Ex marking</b>	$\text{Ex}$ II 2G Ex de IIC T5 Gb, $\text{Ex}$ II 2D Ex tb IIIC T80°C Db IP67 IECEx Ex de IIC T5 Gb, Ex tb IIIC T80°C Db



Ex position switch with safety function  
Ex 95 WHKM 1Ö/1S IP 66  
Material number: 1395172

## Technical data

### Approvals

DMT 01 ATEX E 118  
IECEX BVS 14.0018X

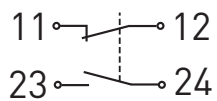
### Weight

100 g



Errors and omissions excepted.

## Contact diagram



## Switching diagram

