



## Ex position switches

// Ex 14 R 10/1S Order no.: 14009301

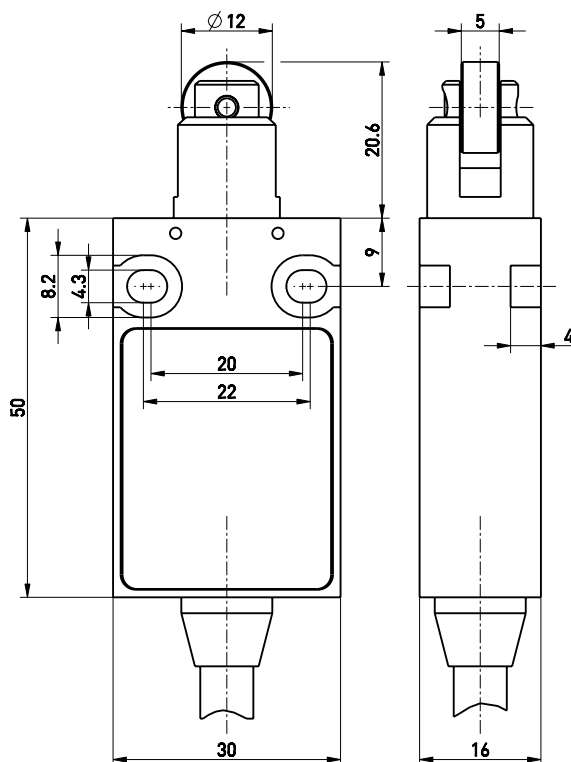
### Features/Options

- Ex-zone 1 and 21
- Thermoplastic enclosure
- Double insulation
- Slow action  $\ominus$ , change-over contact with double break
- Mounting details to DIN EN 50 047
- Suitable for in-line mounting

- With pre-wired cable, cable length 1 metre
- Actuator: Roller plunger R
- Actuating speed max. 0.5 m/s with an actuating angle of 30°
- Metal roller
- N.B.: Please state required approvals for Russia, China and Brazil with your order!

Note: Actuator can be delivered repositioned by 90°

### Dimensions



### Technical data

Standards	EN 60947-5-1; EN 1088; EN 60079-0, EN 60079-1, EN 60079-31; EN ISO 13849-1
Enclosure	glass-fibre reinforced, shock-proof thermoplastic, self-extinguishing UL 94-V0 IP 65 to IEC/EN 60529
Degree of protection	silver
Contact material	slow action
Switching system	change-over contact with double break Zb, galvanically separated contact bridges, positive break NC contacts $\ominus$
Switching elements	cable H05VV-F, 4 x 0.75 mm <sup>2</sup> 2 million max. 20 years 4 kV 250 V T6: 6 A; T5: 3 A 6 A/250 VAC, 0.25 A/230 VDC AC-15, DC-13 6 A gL/gG D-fuse
Connection	
B <sub>10d</sub> (10% Load)	
T <sub>M</sub>	
U <sub>imp</sub>	
U <sub>i</sub>	
I <sub>the</sub>	
I <sub>e</sub> /U <sub>e</sub>	
Utilisation category	
Max. fuse rating	
Ambient temperature	T6: -20 °C ... +65 °C, T5: -20 °C ... +95 °C > 1 million operations
Mechanical life	1800/h
Switching frequency	±0.1 mm
Repeat accuracy	max. 2 x 4 mm
Contact gap	
Note	Switch must be protected from mechanical damage!
Ex marking	$\text{Ex}$ II 2G Ex d IIC T6/T5 Gb, $\text{Ex}$ II 2D Ex tb IIIC T80°C/T90°C Db IP65 IECEX Ex d IIC T6/T5 Gb, Ex tb IIIC T80°C/T90°C Db IP65
Approvals	PTB 03 ATEX 1070 X IECEX PTB 06.0098X



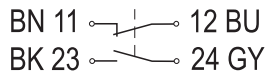
Errors and omissions excepted.



## Ex position switches

// Ex 14 R 10/1S Order no.: 14009301

### Contact diagram



### Switching diagram

