



## Ex position switches

// Ex 14 WR 10/1S Order no.: 14010301

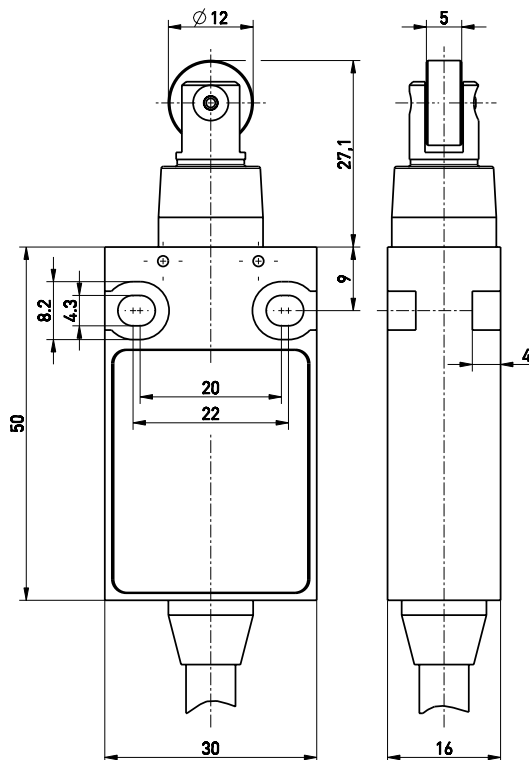
### Features/Options

- Ex-zone 1 and 21
- Thermoplastic enclosure
- Double insulation
- Slow action  $\ominus$ , change-over contact with double break
- Mounting details to DIN EN 50 047
- Suitable for in-line mounting

- With pre-wired cable, cable length 1 metre
- Actuator: Roller plunger with collar WR
- Actuating speed max. 0.5 m/s with an actuating angle of 25°
- Metal roller
- Collar to protect against the entry of foreign bodies
- N.B.: Please state required approvals for Russia, China and Brazil with your order!

Note: Actuator can be delivered repositioned by 90°

### Dimensions



### Technical data

Standards	EN 60947-5-1; EN 1088; EN 60079-0, EN 60079-1, EN 60079-31; EN ISO 13849-1
Enclosure	glass-fibre reinforced, shock-proof thermoplastic, self-extinguishing UL 94-V0
Degree of protection	IP 65 to IEC/EN 60529
Contact material	silver
Switching system	slow action
Switching elements	change-over contact with double break Zb, galvanically separated contact bridges, positive break NC contacts $\ominus$
Connection	cable H05VV-F, 4 x 0.75 mm <sup>2</sup>
B <sub>10d</sub> (10% Load)	2 million
T <sub>M</sub>	max. 20 years
U <sub>imp</sub>	4 kV
U <sub>i</sub>	250 V
I <sub>the</sub>	T6: 6 A; T5: 3 A
I <sub>e</sub> /U <sub>e</sub>	6 A/250 VAC, 0.25 A/230 VDC
Utilisation category	AC-15, DC-13
Max. fuse rating	6 A gL/gG D-fuse
Ambient temperature	T6: -20 °C ... +65 °C, T5: -20 °C ... +95 °C
Mechanical life	> 1 million operations
Switching frequency	1800/h
Repeat accuracy	±0.1 mm
Contact gap	max. 2 x 4 mm
Note	Switch must be protected from mechanical damage!
Ex marking	$\text{Ex}$ II 2G Ex d IIC T6/T5 Gb, $\text{Ex}$ II 2D Ex tb IIIC T80°C/T90°C Db IP65 IECEX Ex d IIC T6/T5 Gb, Ex tb IIIC T80°C/T90°C Db IP65
Approvals	PTB 03 ATEX 1070 X IECEX PTB 06.0098X



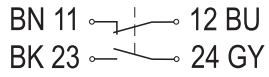
Errors and omissions excepted.



## Ex position switches

// Ex 14 WR 1Ö/1S Order no.: 14010301

### Contact diagram



### Switching diagram

