



## Ex position switches with safety function // Ex 14 FR 10/1S Order no.: 14051301

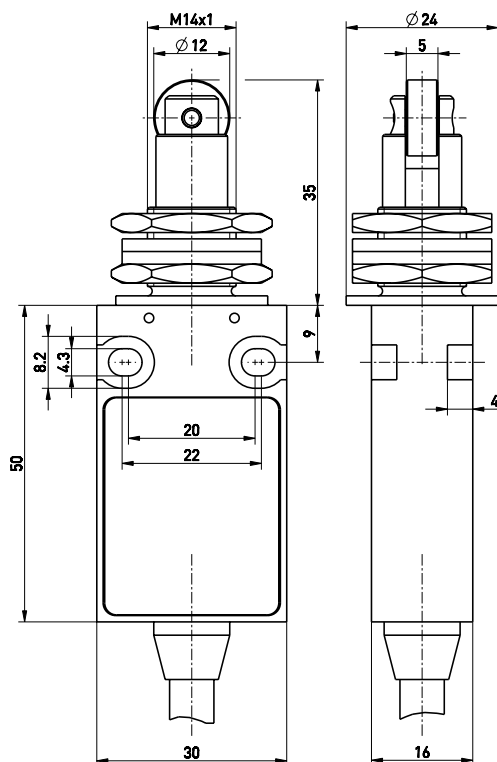
### Features/Options

- Ex-zone 1 and 21
- Thermoplastic enclosure
- Double insulation
- Slow action  $\ominus$ , change-over contact with double break
- Mounting details to DIN EN 50 047
- Suitable for in-line mounting

- With pre-wired cable, cable length 1 metre
- Actuator: Roller plunger for front mounting FR
- Actuating speed max. 0.5 m/s with an actuating angle of 25°
- Metal roller
- N.B.: Please state required approvals for Russia, China and Brazil with your order!

Note: Actuator can be delivered repositioned by 90°

### Dimensions



### Technical data

|                                    |   |
|------------------------------------|---|
| <b>Standards</b>                   | EN 60947-5-1; EN 1088;<br>EN 60079-0, EN 60079-1,<br>EN 60079-31; EN ISO 13849-1  |
| <b>Enclosure</b>                   | glass-fibre reinforced,<br>shock-proof thermoplastic,<br>self-extinguishing UL 94-V0<br>IP 65 to IEC/EN 60529   |
| <b>Degree of protection</b>        | silver  |
| <b>Contact material</b>            | slow action   |
| <b>Switching system</b>            | change-over contact with double<br>break Zb, galvanically separated<br>contact bridges, positive break NC<br>contacts $\ominus$                           |
| <b>Switching elements</b>          | cable H05VV-F, 4 x 0.75 mm <sup>2</sup>   |
| <b>Connection</b>                  | 2 million   |
| <b>B<sub>10d</sub> (10% Load)</b>  | max. 20 years   |
| <b>T<sub>M</sub></b>               | 4 kV  |
| <b>U<sub>imp</sub></b>             | 250 V   |
| <b>U<sub>i</sub></b>               | T6: 6 A; T5: 3 A  |
| <b>I<sub>the</sub></b>             | 6 A/250 VAC, 0.25 A/230 VDC   |
| <b>I<sub>e</sub>/U<sub>e</sub></b> | AC-15, DC-13  |
| <b>Utilisation category</b>        | 6 A gL/gG D-fuse  |
| <b>Max. fuse rating</b>            | T6: -20 °C ... +65 °C,<br>T5: -20°C ... +95 °C  |
| <b>Ambient temperature</b>         | > 1 million operations  |
| <b>Mechanical life</b>             | 1800/h  |
| <b>Switching frequency</b>         | ±0.1 mm   |
| <b>Repeat accuracy</b>             | max. 2 x 4 mm   |
| <b>Contact gap</b>                 | Switch must be protected from<br>mechanical damage!   |
| <b>Note</b>                        |   |
| <b>Ex marking</b>                  | $\text{Ex}$ II 2G Ex d IIC T6/T5 Gb,<br>$\text{Ex}$ II 2D Ex tb IIIC<br>T80°C/T90°C Db IP65<br>IECEX Ex d IIC T6/T5 Gb,<br>Ex tb IIIC T80°C/T90°C Db IP65 |
| <b>Approvals</b>                   | PTB 03 ATEX 1070 X<br>IECEX PTB 06.0098X  |

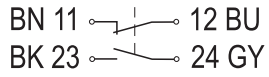


Errors and omissions excepted.



## Ex position switches with safety function // Ex 14 FR 1Ö/1S Order no.: 14051301

### Contact diagram



### Switching diagram

