

Command devices

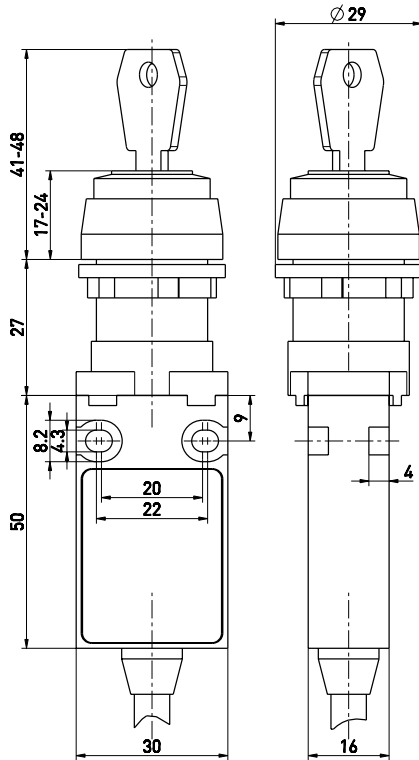
// ES 14 RSSA 18-1m Order no.: 14058006

Features/Options

- Thermoplastic enclosure
- Double insulated
- Mounting hole diameter 22.5 mm
- Mounting details to DIN EN 50 047

- With pre-wired cable, cable length 1 meter
- Actuator: RSSA key switch with safety cylinder lock (locks against turning)
- Normal version always has same key number

Dimensions

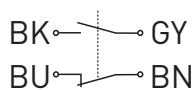


Technical data

| | |
|------------------------------------|--|
| Standards | EN ISO 13849-1; IEC/EN 60947-5-1 |
| Enclosure | glass-fibre reinforced, shock-proof thermoplastic, self-extinguishing UL 94-V0 |
| Degree of protection | IP 65 to IEC/EN 60529 |
| Contact material | silver |
| Switching system | slow action, positive break NC contacts \ominus |
| Switching elements | change-over contact with double break Zb, galvanically separated contact bridges |
| Connection | cable H05VV-F |
| Cable section | 4 x 0.75 mm ² |
| B_{10d} (10% Load) | 2 million |
| T_M | 10 years |
| U_{imp} | 4 kV |
| U_i | 250 V |
| I_{the} | 6 A |
| I_e/U_e | 6 A/250 VAC; 0,25 A/230 VDC |
| Utilisation category | AC-15, DC-13 |
| Max. fuse rating | 6 A gL/gG D-fuse |
| Ambient temperature | -20 °C ... +75 °C |
| Mechanical life | > 1 million operations |
| Switching frequency | 1800/h |
| Contact opening | 2 x 4 mm |

Errors and omissions excepted.

Contact diagram



Switching diagram



Switching position RSSA 18



2 switching positions