

## Ex command devices

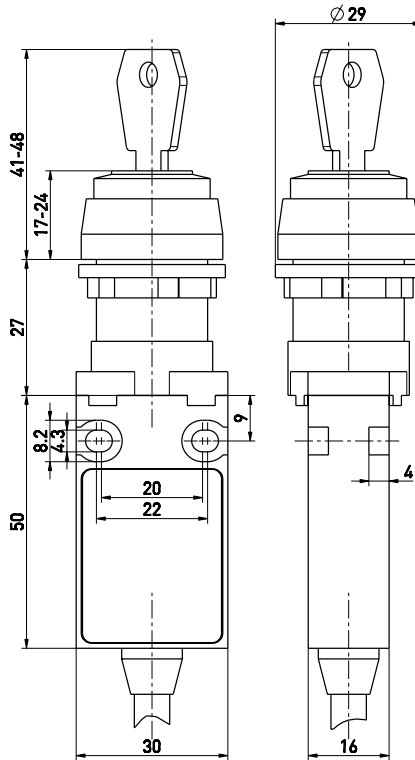
// Ex 14 RSSA 15-1m Order no.: 14058304

### Features/Options

- Ex zone 1 and 21
- Double insulation
- Mounting hole diameter 22.5 mm
- With pre-wired cable

- RSSA key switch with safety cylinder lock (locks against turning)
- Normal version always has same key number
- N.B.: Please state required approvals for Russia, China and Brazil with your order!

### Dimensions



### Technical data

<b>Standards</b>	EN 60947-5-1; EN 1088; EN 60079-0; EN 60079-1; EN 60079-31; EN ISO 13849-1
<b>Enclosure</b>	glass-fibre reinforced, shock-proof thermoplastic, self-extinguishing UL 94-V0 IP 65 according to EN 60529
<b>Degree of protection</b>	IP 65
<b>Contact material</b>	silver
<b>Switching system</b>	slow action, NC contact with positive break $\ominus$
<b>Switching elements</b>	change-over contact with double break Zb, galvanically separated contact bridges
<b>Connection</b>	cable H05VV-F
<b>Cable section</b>	4 x 0.75mm <sup>2</sup>
<b>cable length</b>	1m
<b>B<sub>10d</sub>(10% Load)</b>	60.000
<b>T<sub>M</sub></b>	max. 20 years
<b>U<sub>imp</sub></b>	4 kV
<b>U<sub>i</sub></b>	250 V
<b>I<sub>the</sub></b>	T6: 6 A; T5: 3 A
<b>I<sub>e</sub>/U<sub>e</sub></b>	6 A/250 VAC; 0,25 A/230 VDC
<b>Utilisation category</b>	AC-15, DC-13
<b>Max. fuse rating</b>	6 A gL/gG D-fuse
<b>Ambient temperature</b>	T6: -20 °C ... +65 °C; T5: -20 °C ... +95 °C
<b>Mechanical life</b>	> 30.000 operations
<b>Switching frequency</b>	1800/h
<b>Note</b>	Switch must be protected from mechanical damage!
<b>Ex certification</b>	$\text{Ex}$ II 2G Ex d IIC T6/T5 Gb, $\text{Ex}$ II 2D Ex tb IIIC T80°C/T95°C Db IP65 IECEX Ex d IIC T6/T5 Gb, Ex tb IIIC T80°C/T95°C Db
<b>Approvals</b>	PTB 03 ATEX 1070 X, IECEX PTB 06.0098 X

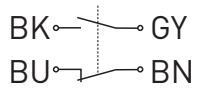


Errors and omissions excepted.

## Ex command devices

// Ex 14 RSSA 15-1m    Order no.: 14058304

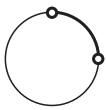
### Contact diagram



### Switching diagram



### Switching position RSSA 15



2 switching positions