



## Ex position switches

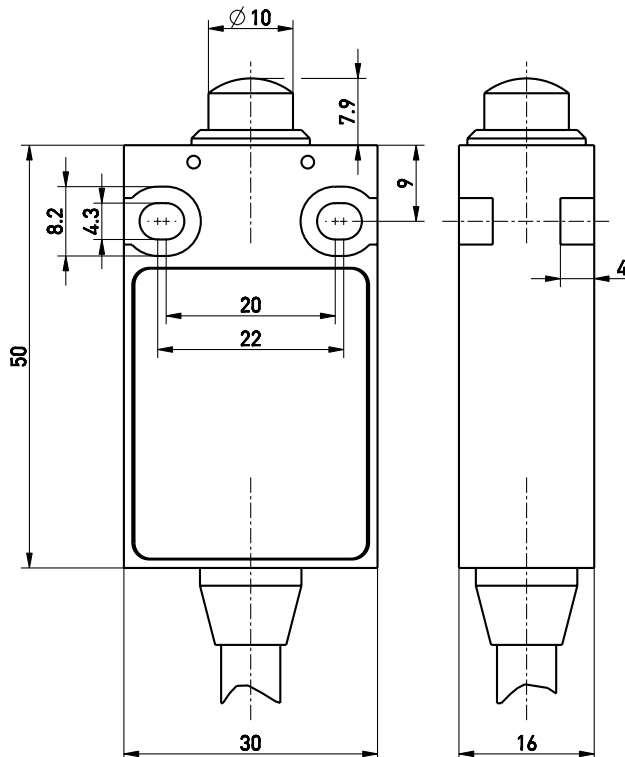
// ExM 14 1Ö/1S Order no.: 14101901

### Features/Options

- Ex-zone 1 and 21
- Thermoplastic enclosure
- Double insulation
- Snap action, change-over contact with double break
- Mounting details to DIN EN 50 047

- Suitable for in-line mounting
- With pre-wired cable, cable length 1 metre
- Actuator: Plunger
- Actuating speed max. 0.5 m/s with an actuating angle of 0°
- N.B.: Please state required approvals for Russia with your order!

### Dimensions



### Technical data

#### Standards

EN 60947-5-1; EN 1088;  
EN 60079-0, EN 60079-1,  
EN 60079-31

#### Enclosure

glass-fibre reinforced,  
shock-proof thermoplastic,  
self-extinguishing UL 94-V0  
IP 65 to IEC/EN 60529

#### Degree of protection

#### Contact material

silver

#### Switching system

snap action

#### Switching elements

change-over contact with double  
break Za

#### Connection

cable H05VV-F, 4 x 0.75 mm<sup>2</sup>

#### $U_{imp}$

4 kV

#### $U_i$

250 V

#### $I_{the}$

T6: 5 A; T5: 3 A

#### $I_e/U_e$

5 A/250 VAC, 0.2 A/230 VDC

#### Utilisation category

AC-15, DC-13

#### Max. fuse rating

5 A gL/gG D-fuse

#### Ambient temperature

T6: -20 °C ... +65 °C,  
T5: -20 °C ... +95 °C

#### Mechanical life

> 1 million operations

#### Switching frequency

1800/h

#### Repeat accuracy

±0.1 mm

#### Contact gap

max. 2 x 4 mm

#### Note

Switch must be protected from  
mechanical damage!

#### Ex marking

⊕ II 2G Ex d IIC T6/T5 Gb,

⊕ II 2D Ex tb IIIC

T80°C/T90°C Db IP65

IECEx Ex d IIC T6/T5 Gb,

Ex tb IIIC T80°C/T90°C Db IP65

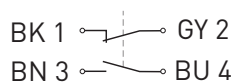
PTB 03 ATEX 1006 X

#### Approvals



Errors and omissions excepted.

### Contact diagram



### Switching diagram

