

## Ex door contacts with positive break

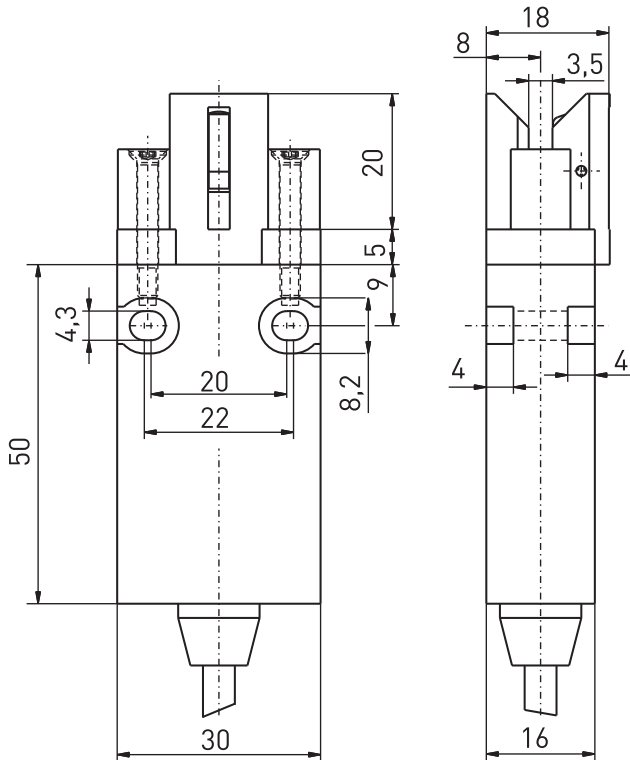
// Ex 14 AZ 1Ö 3m/double-sided lowered holes Order no.: 14966304

### Features/Options

- Thermoplastic enclosure
- Double insulation
- Slow action  $\ominus$ , 1 NC contact

- Pre-wired cable
- N.B.: Please state required approvals for Russia, China and Brazil with your order!

### Dimensions



### Technical data

#### Standards

IEC/EN 60947-5-1; 95/16/EG,  
EN 81-1; EN 81-2; EN 1088;  
EN 50014; EN 50018;  
EN 50281-1-1

#### Enclosure

glass-fibre reinforced,  
shock-resistant thermoplastic,  
auto-extinguishing UL 94-V0

#### Actuator

stainless steel 1.4301

#### Degree of protection

IP 65 to IEC/EN 60529

#### Contact material

silver

#### Switching system

slow action, NC contact with  
positive break  $\ominus$

#### Switching system

1 NC contact

#### Connection

pre-wired cable H05VV-F

#### Cable section

2 x 0.75 mm<sup>2</sup>

#### Cable length

3 m

#### B<sub>10d</sub> (10% load)

2 million

#### T<sub>M</sub>

max. 20 years

#### U<sub>imp</sub>

4 kV

#### U<sub>i</sub>

250 V

#### I<sub>the</sub>

3 A

#### I<sub>e</sub>/U<sub>e</sub>

3 A/250 VAC; 0,2 A/230 VDC

#### Utilisation category

AC-15, DC-13

#### Max. fuse rating

3 A gL/gG D-fuse

#### Positive break travel

3,5 mm

#### Ambient temperature

-20 °C ... +65 °C

#### Mechanical life

> 1 million operations

#### Ex-marking

$\ominus$  II 2G Ex d IIC T6/T5 Gb,

$\ominus$  II 2D Ex tb IIIC T80°C/

T95°C Db IP65

IECEx Ex d IIC T5/T6

Ex tD A21 IP 65 T 80 °C/95 °C

PTB 03 ATEX 1070 X

IECEx PTB 06.0098X

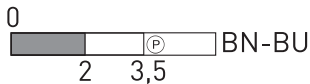
#### Approvals



### Switching diagram

#### Slow action

1 NC contact



Errors and omissions excepted.