

## Radio position switch

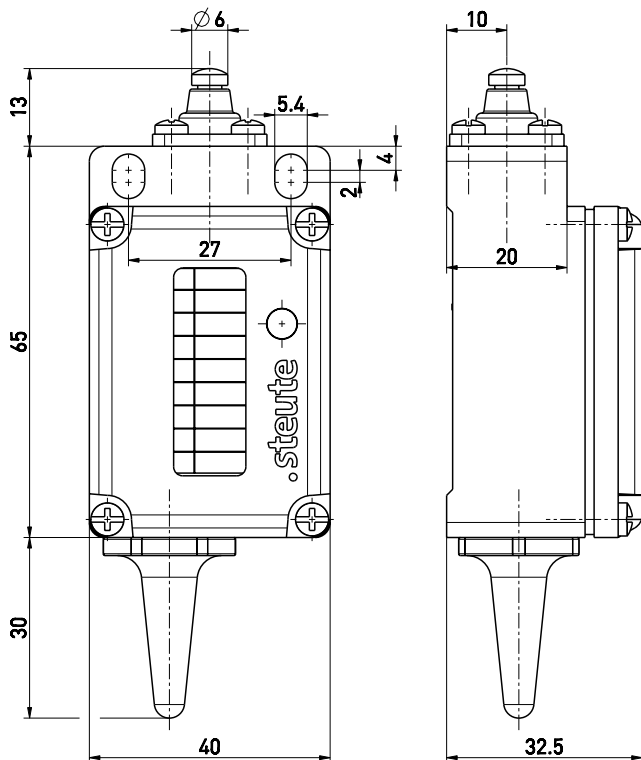
// RF 41 W EN868 Order no.: 41902902

### Features/Options


- Integrated solar cell, no battery/rechargeable battery required
- Output signal to be configured individually at the receiver
- EnOcean-protocol
- Data rate 120 kbps
- No wiring and pipe laying required
- Multi-network capable

- Easy programming of receiver
- Actuator: Plunger with collar W
- Actuating speed max. 0.5 m/s with an actuating angle of 0°
- Exact repeatability of switching point
- Collar to protect against the entry of foreign bodies

### Dimensions



### Technical Data

Standards	EN 60947-5-1; EN 61000-6-2; EN 301 489-1; EN 301 489-3; EN 300 220-2
Enclosure	Aluminium die-cast, enamelled
Cover	Glassfibre reinforced thermoplastic
Degree of protection	IP 65 per IEC/EN 60529
Protocol	EnOcean
Ambient temperature	-20 °C ... +65 °C
Switching frequency	approx. 9000 telegrams at repetitions/h
Voltage supply	Solar cell
Frequency	868.3 MHz
Transmission power	max. 10 mW
Data rate	120 kbps
Bandwidth channel	280 kHz
Sensing range	max. 300 m outside, max. 30 m inside
Mechanical life	> 1 million operations
Power consumption in sleep mode	approx. 25 nA
Switching on with empty energy supply	< 10 min at 400 lx
Charging time with empty energy supply	approx. 6 h at 400 lx, approx. 1.5 h at 1000 lx
Charging time at operation limit	1 h at 400 lx, approx. 15 min at 1000 lx
Operation time in darkness	approx. 48 h, with status signal every 3h, when the goldcap is totally charged at 1000 lx
Actuating time	min. 80 ms
Note	status signal adjustable ex factory
Approvals	

Errors and omissions excepted.