

Miniature limit switches

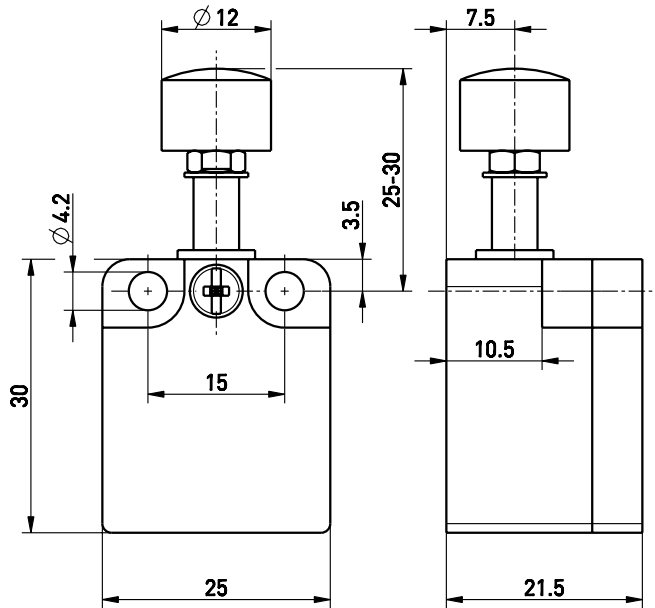
// C 50 K 1Ö/1S Order no.: 49007001

Features/Options

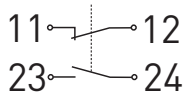
- Thermoplastic enclosure
- Change-over contact with double break, positive break NC contact ⊖
- Galvanically separated contact bridges
- Actuator: Adjustable plunger cap K

- Adjustable thermoplastic cap
- Large actuating surface
- Safe switching even with imprecise actuation

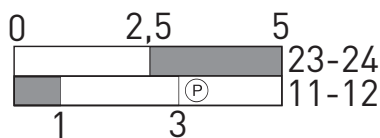
Dimensions



Contact diagram



Switching diagram



Technical data

| | |
|-------------------------------------|---|
| Standards | IEC/EN 60947-5-1 |
| Enclosure | glass-fibre reinforced, shock-proof thermoplastic, self-extinguishing UL 94-V0 |
| Actuator | plunger: brass |
| Degree of protection | IP 30 to IEC/EN 60529 |
| Soiling level | 3 |
| Contact material | silver |
| Switching system | slow action, positive break NC contact ⊖ |
| Switching elements | change-over contact with double break Zb and galvanically separated contact bridges |
| Connection | plug-in connector |
| Cable section | max. 1.5 mm ² |
| B _{10d} (10% Load) | 70.000 |
| T _M | max. 20 years |
| U _{imp} | 4 kV |
| U _i | 400 V |
| I _{the} | 4 A |
| I _e /U _e | 4 A/400 VAC |
| Utilisation category | AC-15 |
| Max. fuse rating | 4 A gL/gG D-fuse |
| Ambient temperature | -20 °C ... +75 °C |
| Mechanical life | > 1 million operations |
| Switching frequency | 1800/h |
| Repeat accuracy of switching points | ± 0.1 mm |
| Impact resistance/ Contact opening | 2 x 4 mm |
| Approvals | |
| Weight | 30g |

Errors and omissions excepted.