

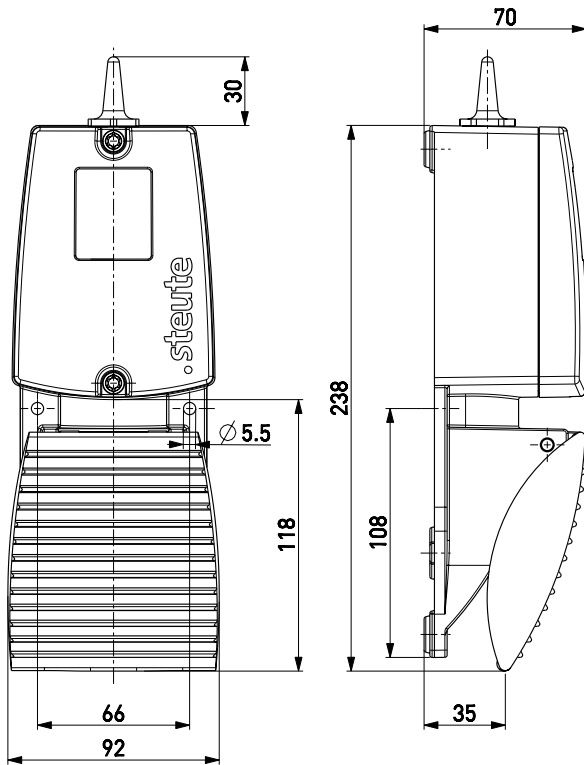
Ex switchgear with radio technology // Ex RF GFI EN868 Order no.: 53191201

Features/Options

- Output signal to be configured individually at the receiver
- EnOcean-protocol
- Data rate 120 kbps

- No power supply, no wiring and pipe laying required
- Multi-network capable

Dimensions



Technical Data

Standards	EN 60947-5-1; EN 61000-6-2; EN 301 489-1; EN 301 489-3; EN 300 220-3; EN 60079-0; EN 60079-11; EN 61241-0; EN 61241-11
Enclosure	Aluminium die-cast, enamel finish, RAL 5011
Cover	Aluminium die-cast, enamel finish, RAL 2004
Pedal	Aluminium die-cast, enamel finish, RAL 5011
Degree of protection	IP 67 per IEC/EN 60529
Protocol	EnOcean
Ambient temperature	-20 °C ... +65 °C
Switching frequency	approx. 9000 telegrams at repetitions/h
Voltage supply	Electrodynamic energy generator
Frequency	868.3 MHz
Transmission power	max. 10 mW
Data rate	120 kbps
Bandwidth channel	280 kHz
Sensing range	max. 300 m outside, max. 30 m inside
Mechanical life	> 1 million operations
Actuating time	min. 80 ms
Note	no status signal
Ex marking	⊕ 2G Ex ib IIC T6 ⊕ 2D Ex ibD21 T 80°C
Approvals	BVS 09 ATEX E 149
Weight	940g

Errors and omissions excepted.