

## Ex pull-wire switches

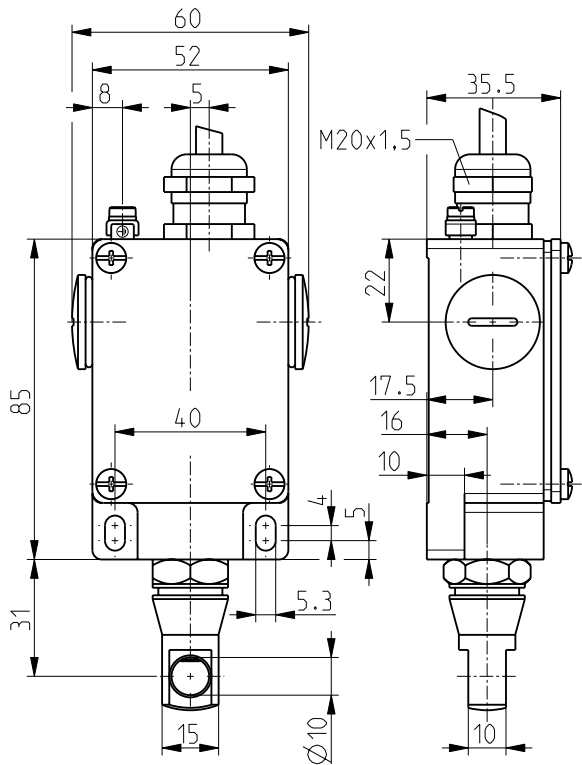
// Ex 61 Z 10/1S Order no.: 61041301

### Features/Options

- Ex zone 1 and 21
- Metal enclosure
- Wall mounting

- 2 contacts
- Pull-wire function
- N.B.: Please state required approvals for Russia, China and Brazil with your order!

### Dimensions



### Technical data

#### Standards

EN 60947-5-1; EN 1088;  
EN 60079-0, EN 60079-1,  
EN 60079-31; EN ISO 13849-1

#### Enclosure

aluminium die-cast, enamel finish  
steel, enamel finish

#### Cover

Ex 14

#### Switch insert

#### Degree of protection

IP 65 to IEC/EN 60529

#### Contact material

silver

#### Switching system

slow action,

positive break NC contact ⊖

#### Switching elements

change-over contact

Form C

#### Connection

cable H05VV-F

#### Cable section

4 x 0,75 mm<sup>2</sup>

#### Cable length

3 m

#### B<sub>10d</sub> (10 % load)

2 million

#### T<sub>M</sub>

max. 20 years

#### U<sub>imp</sub>

4 kV

#### U<sub>i</sub>

250 V

#### I<sub>the</sub>

T6: 6 A; T5: 3 A

#### I<sub>e</sub>/U<sub>e</sub>

6 A/250 VAC; 0,25 A/230 VDC

#### Utilisation category

AC-15, DC-13

#### Max. fuse rating

6 A gL/gG D-fuse

#### Ambient temperature

T6: -20 °C ... +65 °C;

T5: -20 °C ... +95 °C

#### Mechanical life

> 1 million operations

#### Switching frequency

1800/h

#### Repeat accuracy

± 0,1 mm

#### Contact gap

max. 2 x 4.5 mm

#### Ex certification

⊕ II 2G Ex d IIC T6/T5 Gb,

⊕ II 2D Ex tb IIIC

T80°C/T95°C Db

IECEX Ex d IIC T6/T5 Gb,

Ex tb IIIC T80°C/T95°C Db

#### Approvals

PTB 03 ATEX 1069 X (referring to the switch insert)



Errors and omissions excepted.