

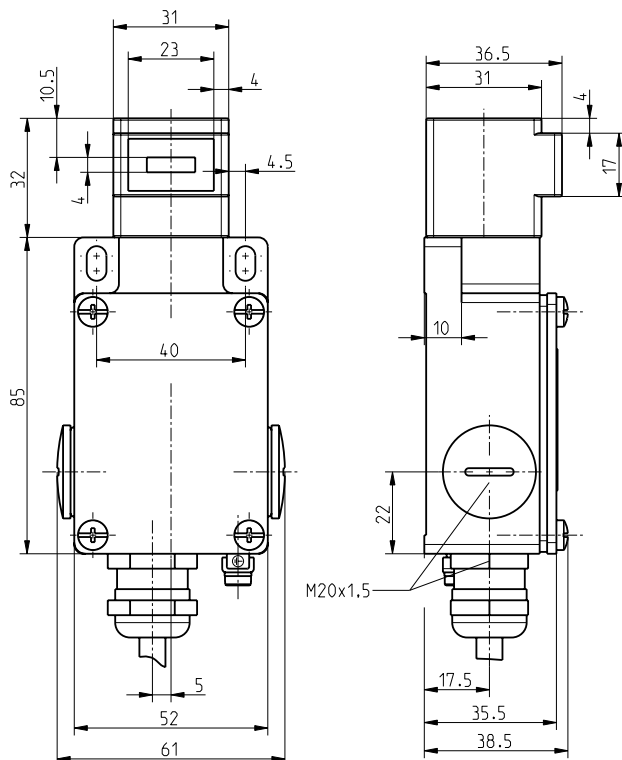
Ex safety switches with separate actuator // Ex ST 61 1Ö/1S Order no.: 61053300

Features/Options

- Ex zone 1 and 21
- Metal enclosure
- Double insulation
- Slow action \ominus , change-over contact with double break
- Pre-wired cable

- Long life
- High level of contact reliability with low voltage and currents
- Special version only for dust Ex zone 22 available
- N.B.: Please state required approvals for Russia, China and Brazil with your order!

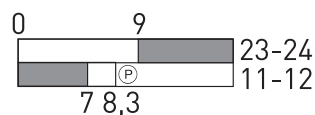
Dimensions



Switching diagram

Slow action

1 NC/1 NO contact



Technical data

Standards

EN 60947-5-1; EN 1088;
EN 60079-0, EN 60079-1,
EN 60079-31; EN ISO 13849-1

Enclosure

aluminium die-cast, enamelled

Actuator

stainless steel 1.4301

Switch insert

Ex 14

Degree of protection

IP 65 according to EN 60529

Contact material

silver

Switching system

slow action,

Switching elements

NC contact with positive break \ominus
change-over contact with double
break Zb, galvanically separated
contact bridges

Connection

pre-wired cable

B_{10d} (10% Load)

H05VV-F 4 x 0.75 mm²

T_M

2 million

Cable length

max. 20 years

U_{imp}

3 m

U_i

4 kV

I_{the}

250 V

I_e/U_e

T6: 6 A; T5: 3 A

Utilisation category

6 A/250 VAC; 0.25 A/230 VDC

Max. fuse rating

AC-15, DC-13

Positive break travel

6 A gL/gG D-fuse

Ambient temperature

12 mm

T6: -20 °C ... +65 °C,

T5: -20 °C ... +95 °C

Mechanical life

> 1 million operations

Ex marking

$\text{Ex II 2G Ex d IIC T6/T5 Gb,}$

$\text{Ex II 2D Ex tb IIIC}$

T80°C/T95°C Db IP65

IECEx Ex d IIC T6/T5 Gb,

Ex tb IIIC T80°C/T95°C Db

Approvals

PTB 03 ATEX 1070 X

IECEx PTB 06.0098X

(referring to the switch insert)



Errors and omissions excepted.