

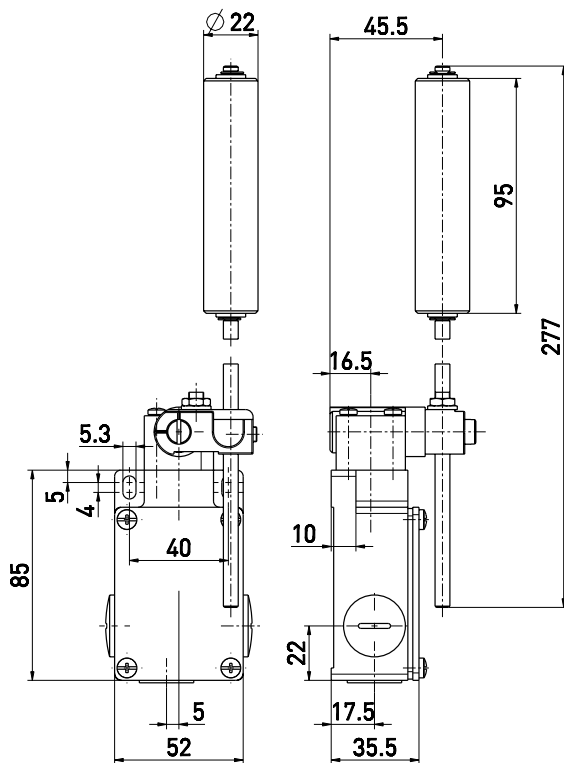
Belt-alignment switch

// ES 61 SR 1S/1Ö UE Order no.: 61231001

Features/Options

- Metal enclosure
- Slow action: 2 contacts

Dimensions



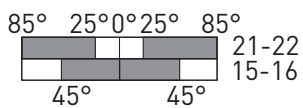
Technical data

Standards	IEC/EN 60947-5-1; EN ISO 13849-1
Enclosure	aluminium die-cast, enamel finish
Cover	steel, enamel finish
Degree of protection	IP 65 to IEC/EN 60529
Contact material	silver
Switching elements	change-over contact with double break with galvanically separated contact bridges
Switching system	slow action
Connection	M3.5 screw terminals
Cable section	max. 2.5 mm ² (incl. conductor ferrules)
Cable entry	3 x M20 x 1.5
B _{10d} (10% Load)	1 million
T _M	max. 20 years
U _{imp}	6 kV
U _i	400 V
I _{the}	10 A
Utilisation category	AC-15
I _e /U _e	16 A/400 VAC
Max. fuse rating	16 A gL/gG D-fuse
Ambient temperature	-20 °C ... +80 °C
Mech. life	> 1 million operations
Switching frequency	3600/h
Weight	506g

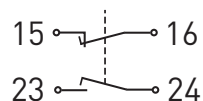
Switching diagram

Slow action

1 NC/1 NO contact with overlapping



Contact diagram



Errors and omissions excepted.