

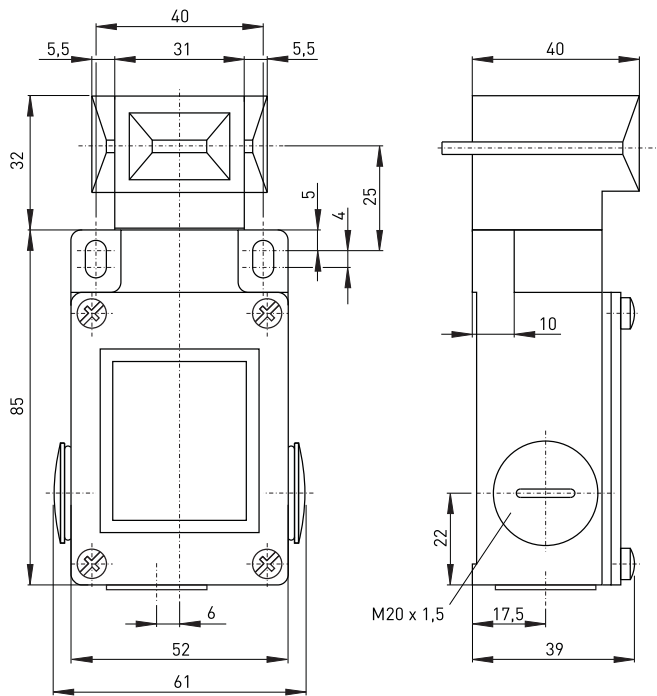
Safety switch with separate actuator // ST 61 2Ö Order no.: 61553001

Features/Options

- Metal enclosure
- Double insulated
- Slow action \ominus , change-over contact with double break
- 3 cable entries M20 x 1.5

- Wiring compartment
- Long life
- High level of contact reliability with low voltages and currents

Dimensions



Technical data

Standards

EN ISO 13849-1;
IEC/EN 60947-5-1;
EN 1088; BG-GS-ET-15

Enclosure

aluminium die cast, paint finish
IP 65 to IEC/EN 60529

Degree of protection

Contact material

silver

Switching system

slow action, positive break NC
contact \ominus

Switching elements

2 NC contacts with double break,
galvanically separated contact
bridges

Connection

plug-in connector

Cable section

max. 2.5 mm²
(incl. conductor ferrules)

Cable entry

3 x M20 x 1.5

B_{10d} (10% Load)

2 million

T_M

max. 20 years

U_{imp}

6 kV

I_e/U_e

6 A/400 VAC

Mechanical life

> 1 million operations

Utilisation category

AC-15

Max. fuse rating

6 A gL/gG D-fuse

Positive break travel

10 mm

Ambient temperature

-20 °C ... +80 °C

Mechanical life

> 1 million operations

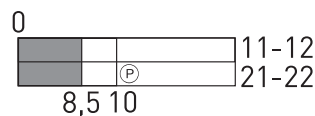
Weight

335g

Switching diagram

Slow action

2 NC contacts



Note

Inserted position of actuator = 0 in switching diagram.
The actuator is not included with the switches.

Contact diagram



Errors and omissions excepted.