

Radio position switch

// RF 96 WPHM EN868 Order no.: 66200202

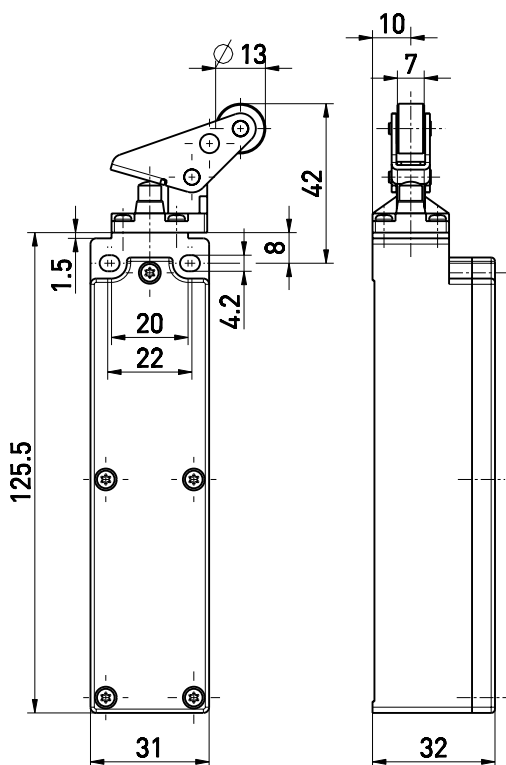
Features/Options

- Mountings to DIN EN 50 047
- Output signal to be configured individually at the receiver
- EnOcean-protocol
- Data rate 120 kbps
- No power supply, no wiring and pipe laying required
- Multi-network capable
- Easy programming of receiver

- Actuator: Parallel metal roller lever WPHM
- Actuating speed max. 0.5 m/s with an actuating angle of $\alpha = 30^\circ$
- Actuator with watertight collar
- Wear-resistant thermoplastic roller
- Actuator heads can be repositioned in 4 x 90° steps
- Actuation parallel to axis of switch from below

Note: Metal roller available on request

Dimensions



Technical Data

| | |
|----------------------|---|
| Standards | EN 60947-5-1; EN 61000-6-2; EN 301 489-1; EN 301 489-3; EN 300 220-2 |
| Enclosure | Glassfibre reinforced thermoplastic, self-extinguishing UL 94-V0 |
| Cover | Glassfibre reinforced thermoplastic, self-extinguishing UL 94-V0 |
| Degree of protection | IP 67 per IEC/EN 60529 |
| Protocol | EnOcean |
| Ambient temperature | -20 °C ... +65 °C |
| Switching frequency | approx. 9000 telegrams at repetitions/h |
| Voltage supply | Lithium battery |
| Capacitance | approx. 8.5 Ah |
| Frequency | 868.3 MHz |
| Transmission power | max. 10 mW |
| Modulation process | ASK |
| Telegram type | RPS type 2 |
| Data rate | 120 kbps |
| Bandwidth channel | 280 kHz |
| Sensing range | max. 300 m outside, max. 30 m inside |
| Mechanical life | > 1 million operations |
| Actuating time | min. 80 ms |
| Note | status signal adjustable ex factory, transmission of battery voltage |

Approvals



Errors and omissions excepted.