

## Ex radio command devices

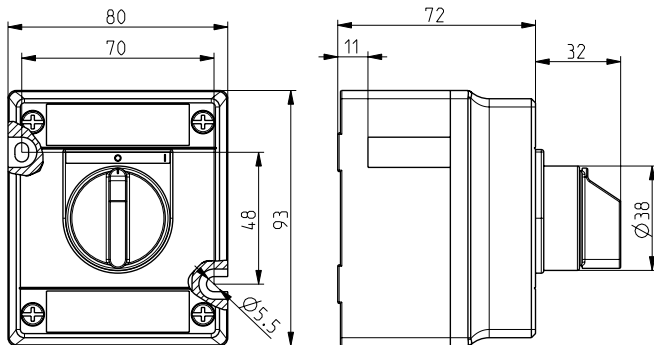
// Ex RF BF 80 1 WS 0-I EN868 Order no.: 6810043101

### Features/Options

- Ex zone 1 and 2, as well as 21 and 22
- Polyester resin enclosure
- Output signal can be individually configured at the receiver
- EnOcean-protocol
- Data rate 120 kbps

- No power supply, no wiring and pipe laying required
- Multi-network capable
- Easy programming of receiver
- Actuator: Control switch WS 0-I

### Dimensions



### Technical Data

<b>Standards</b>	EN 60079-0; EN 60079-11; EN 61241-11; EN 61000-6, -1, -2, -3, -4; EN 60947-5-1; EN 301-489-1; EN 301 489-3; EN 300 220-3
<b>Enclosure</b>	glass fibre-reinforced polyester resin
<b>Switching system</b>	push-button
<b>Degree of protection</b>	IP 66 per IEC/EN 60529
<b>Protocol</b>	EnOcean
<b>Ambient temperature</b>	-20 °C ... +60 °C
<b>Switching frequency</b>	approx. 9000 telegrams at repetitions/h
<b>Voltage supply</b>	Electrodynamic energy generator
<b>Frequency</b>	868.3 MHz
<b>Transmission power</b>	max. 10 mW
<b>Data rate</b>	120 kbps
<b>Bandwidth channel</b>	280 kHz
<b>Sensing range</b>	max. 300 m outside, max. 30 m inside
<b>Actuating time</b>	min. 80 ms
<b>Mech. life</b>	> 1 million operations
<b>Ex-marking</b>	⊕ II 2G Ex ib IIC T6 Gb, ⊕ II 2D Ex ib IIIC T80°C Db
<b>Approvals</b>	BVS 10 ATEX E 075, IECEX in 2011
<b>Note</b>	no status signal

Errors and omissions excepted.