

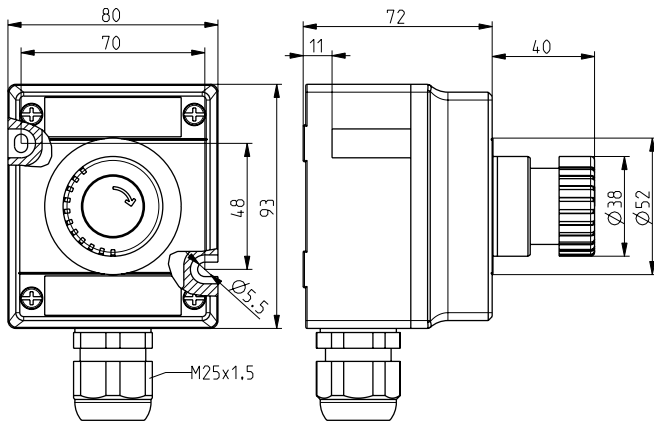
Ex command devices

// Ex BF 80 1 PZTNA 2Ö/1S, Ø 38 mm Order no.: 6810053002

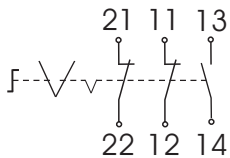
Features/Options

- Ex zone 1 and 2, as well as 21 and 22
- Polyester resin enclosure
- PU foam gaskets
- Actuator: Mushroom stay-put button EM-STOP, Ø 38 mm PZTNA

Dimensions



Contact diagram



Technical Data

Standards

EN 60079-0; EN 60079-1;
EN 60079-5; EN 60079-7;
EN 60079-11; EN 60079-18;
EN 61241-0; EN 61241-1;
EN ISO 13849-1

Enclosure

glass fibre-reinforced polyester resin

Protection class

IP 65 per IEC/EN 60529

Switching system

slow action,
NC contact with positive break

Connection

screw terminals

Rated wire section

max. 6 mm²

contact elements

(incl. conductor ferrules)

Rated wire section

max. 4 mm²

serial/connection clamps

Cable entry

M25 x 1.5

B_{10d} (10% load)

6050

T_M

max. 20 years

Mechanical life

50 000 operations

Temperature class

T6 / T5 / T4

Contact element

I_e

23 A

U_e

max. 500 V

Utilisation category

AC-1; DC-1

Rated operating

6 A/690 VAC; 6 A/220 VDC

current/voltage

Ambient temperature

T6: - 40 °C ... + 40 °C,
T5: - 40 °C ... + 55 °C,
- 50 °C ... + 60 °C on request

Ex marking

⊕ II 2G Ex edqm ia/ib [ia/ib]
II, IIA, IIB, IIC, T6/T5/T4
⊕ II 2D Ex tD A21 IP65
T80°C, T95°C, T130°C

Approvals

PTB 10 ATEX 1018,
IECEx in 2011

Errors and omissions excepted.