

Ex command devices

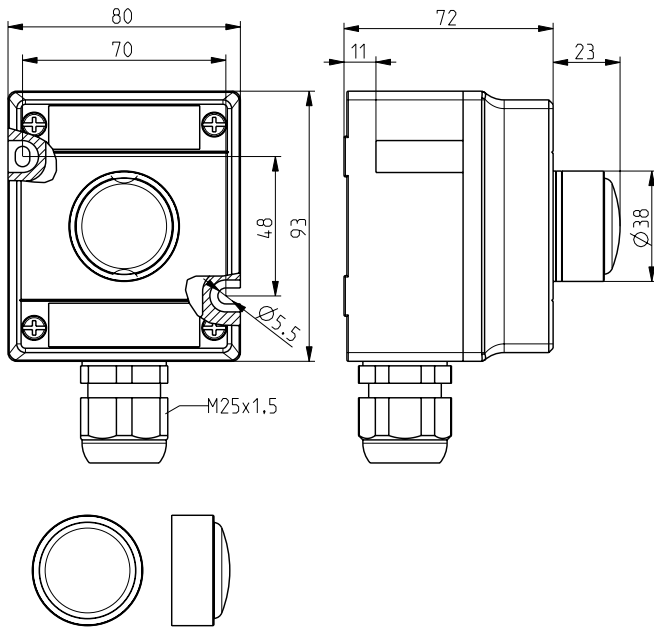
// Ex BF 80 1 LM LED Order no.: 6810143005

Features/Options

- Ex zone 1 and 2, as well as 21 and 22
- Polyester resin enclosure
- PU foam gaskets

- Actuator: Indicating lamp LM
- 5 Caps in colour: transparent, yellow, red, green, blue included in the scope of delivery

Dimensions



Contact diagram



Technical Data

Standards	EN 60079-0; EN 60079-1; EN 60079-5; EN 60079-7; EN 60079-11; EN 60079-18; EN 61241-0; EN 61241-1; EN ISO 13849-1
Enclosure	glass fibre-reinforced polyester resin
Protection class	IP 65 per IEC/EN 60529
Switching system	slow action, NC contact with positive break screw terminals
Connection	
Rated wire section contact elements	max. 6 mm ² (incl. conductor ferrules)
Rated wire section serial/connection clamps	max. 4 mm ²
Cable entry	M25 x 1.5
B_{10d} (10% load)	6050
T_M	max. 20 years
Mechanical life	50 000 operations
Temperature class	T6 / T5 / T4
Signalling device	
I_e	max. 16 A
U_e	max. 750 V
Power consumption	max. 1.5 W
Frequency range	0 ... 60 Hz
Ambient temperature	-20 °C ... +40 °C; -50 °C ... +60 °C on request
Ex marking	⊕ II 2G Ex edqm ia/ib [ia/ib] II, IIA, IIB, IIC, T6/T5/T4 ⊕ II 2D Ex tD A21 IP65 T80°C, T95°C, T130°C
Approvals	PTB 10 ATEX 1018, IECEX in 2011

Errors and omissions excepted.