

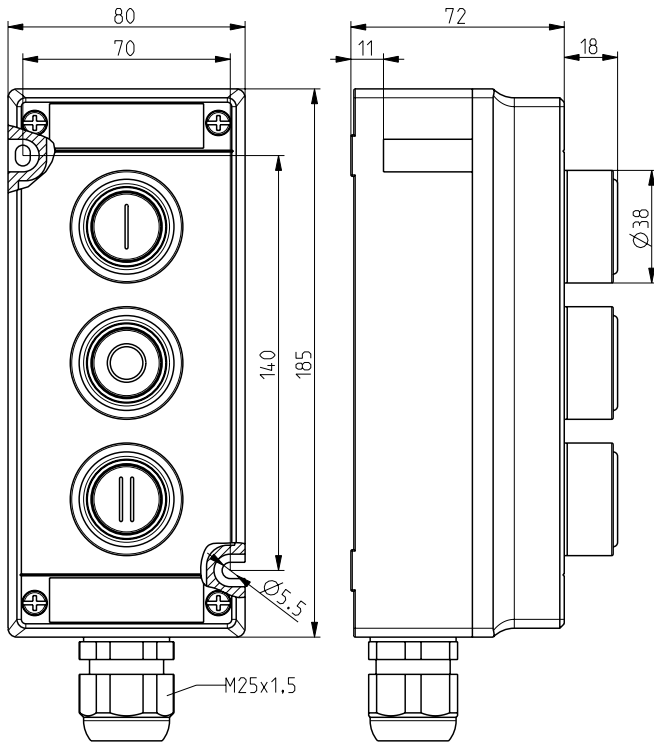
Ex command devices

// Ex BF 80 3 DT/DT/DT 1ÖS/1ÖS/1ÖS Order no.: 6830253008

Features/Options

- Ex zone 1 and 2, as well as 21 and 22
- Polyester resin enclosure
- PU foam gaskets
- Actuator: 3 Push-buttons DT

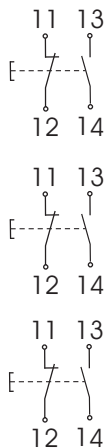
Dimensions



Technical Data

Standards	EN 60079-0; EN 60079-1; EN 60079-5; EN 60079-7; EN 60079-11; EN 60079-18; EN 61241-0; EN 61241-1; EN ISO 13849-1
Enclosure	glass fibre-reinforced polyester resin
Protection class	IP 65 per IEC/EN 60529
Switching system	slow action, NC contact with positive break
Connection	screw terminals
Rated wire section contact elements	max. 6 mm ² (incl. conductor ferrules)
Rated wire section serial/connection clamps	max. 4 mm ²
Cable entry	M25 x 1.5
B_{10d} (10% load)	6050
T_M	max. 20 years
Mechanical life	50 000 operations
Temperature class	T6 / T5 / T4
Contact element	
I_e	23 A
U_e	max. 500 V
Utilisation category	AC-1; DC-1
Rated operating current/voltage	6 A/690 VAC; 6 A/220 VDC
Ambient temperature	T6: - 40 °C ... + 40 °C, T5: - 40 °C ... + 55 °C, - 50 °C ... + 60 °C on request
Ex marking	⊕ II 2G Ex edqm ia/ib [ia/ib] II, IIA, IIB, IIC, T6/T5/T4 ⊕ II 2D Ex tD A21 IP65 T80°C, T95°C, T130°C
Approvals	PTB 10 ATEX 1018, IECEx in 2011

Contact diagram



Errors and omissions excepted.