

## Ex emergency pull-wire switches

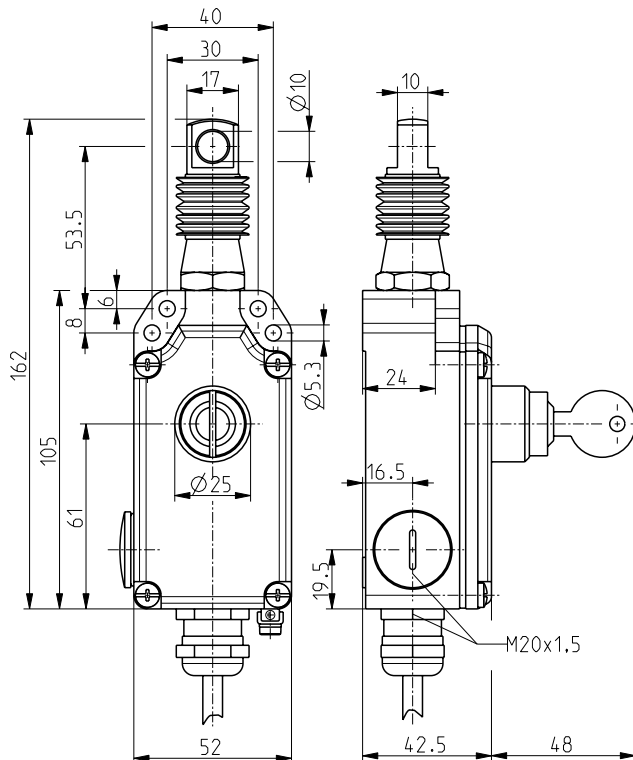
// Ex ZS 71 10/1S WVS-A / 55 N Order no.: 71042304

### Features/Options

- Ex zone 1 and 21
- 2 contacts
- Small design

- Wire length up to 5 m
- Wire pull and breakage function
- N.B.: Please state required approvals for Russia, China and Brazil with your order!

### Dimensions



### Technical data

|                                    |  |
|------------------------------------|--|
| <b>Standards</b>                   | EN 60947-5-1, -5; EN 60079-0, EN 60079-1, EN 60079-31; EN ISO 13849-1  |
| <b>Enclosure</b>                   | aluminium die-cast, enamel finish  |
| <b>Cover</b>                       | glass-fibre reinforced, shock-proof thermoplastic, ultramid  |
| <b>Switch insert</b>               | Ex 14  |
| <b>Degree of protection</b>        | IP 54 to IEC/EN 60529  |
| <b>Contact material</b>            | silver   |
| <b>Switching system</b>            | slow action, positive break  |
| <b>Switching elements</b>          | NC contacts ⊖<br>change-over contact with double break   |
| <b>Connection</b>                  | cable H05VV-F, length 3m   |
| <b>Cable section</b>               | 4 x 0.75 mm <sup>2</sup><br>(incl. conductor ferrules)   |
| <b>B<sub>10d</sub>(10% Load)</b>   | 200.000  |
| <b>T<sub>M</sub></b>               | max. 20 years  |
| <b>U<sub>imp</sub></b>             | 4 kV   |
| <b>U<sub>i</sub></b>               | 250 V  |
| <b>I<sub>the</sub></b>             | T6: 6 A, T5: 3 A   |
| <b>Utilisation category</b>        | AC-15, DC-13   |
| <b>I<sub>e</sub>/U<sub>e</sub></b> | 6 A/250 VAC, 0,25 A/230 VDC  |
| <b>Max. fuse rating</b>            | 6 A gL/gG D-fuse   |
| <b>Ambient temperature</b>         | T6: -20 °C ... +65 °C,<br>T5: -20 °C ... +95 °C  |
| <b>Mechanical life</b>             | > 1 million operations   |
| <b>Max. wire length</b>            | 5 m  |
| <b>Features</b>                    | wire pull and breakage function  |
| <b>Ex certification</b>            | ⊕ II 2G Ex d IIC T6/T5 Gb,<br>⊕ II 2D Ex tb IIIC<br>T80°C/T95°C Db IP65<br>IECEX Ex d IIC T6/T5 Gb,<br>Ex tb IIIC T80°C/T95°C Db |
| <b>Approvals</b>                   | PTB 11 ATEX 1003 X,<br>IECEX PTB 07.0034 X   |



Errors and omissions excepted.