

## Ex emergency pull-wire switches

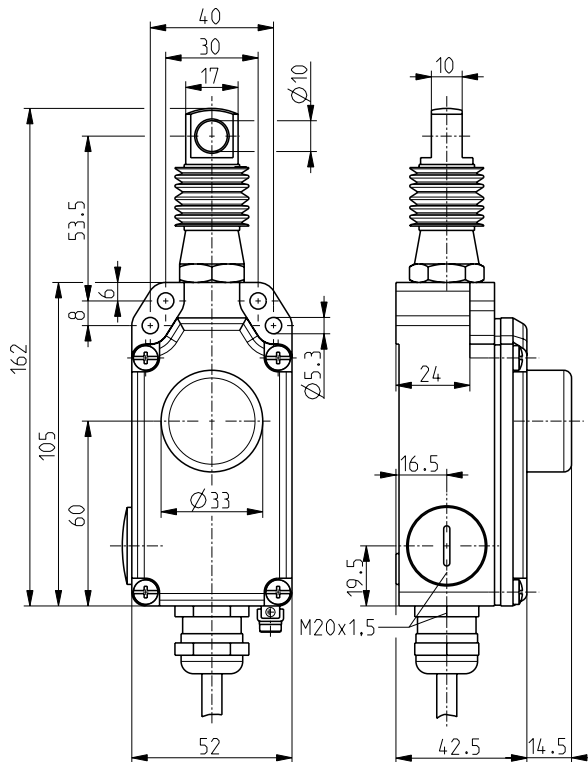
// Ex ZS 71 10/1S WVD / 200 N Order no.: 71042912

### Features/Options

- Ex zone 1 and 21
- 2 contacts
- Small design

- Wire length up to 20 m
- Wire pull and breakage function
- N.B.: Please state required approvals for Russia, China and Brazil with your order!

### Dimensions



### Technical data

|                                |  |
|--------------------------------|--|
| Standards                      | EN 60947-5-1, -5; EN 60079-0, EN 60079-1, EN 60079-31; EN ISO 13849-1  |
| Enclosure                      | aluminium die-cast, enamel finish  |
| Cover                          | glass-fibre reinforced, shock-proof thermoplastic, ultramid  |
| Switch insert                  | Ex 14  |
| Degree of protection           | IP 65 to IEC/EN 60529  |
| Contact material               | silver   |
| Switching system               | slow action, positive break  |
| Switching elements             | NC contacts ⊖<br>change-over contact with double break   |
| Connection                     | cable H05VV-F, length 3m   |
| Cable section                  | 4 x 0.75 mm <sup>2</sup><br>(incl. conductor ferrules)   |
| B <sub>10d</sub> (10% Load)    | 2 million  |
| T <sub>M</sub>                 | max. 20 years  |
| U <sub>imp</sub>               | 4 kV   |
| U <sub>i</sub>                 | 250 V  |
| I <sub>the</sub>               | T6: 6 A, T5: 3 A   |
| Utilisation category           | AC-15, DC-13   |
| I <sub>e</sub> /U <sub>e</sub> | 6 A/250 VAC, 0,25 A/230 VDC  |
| Max. fuse rating               | 6 A gL/gG D-fuse   |
| Ambient temperature            | T6: -20 °C ... +65 °C,<br>T5: -20 °C ... +95 °C  |
| Mechanical life                | > 1 million operations   |
| Max. wire length               | 20 m   |
| Features                       | wire pull and breakage function  |
| Ex certification               | ⊕ II 2G Ex d IIC T6/T5 Gb,<br>⊕ II 2D Ex tb IIIC<br>T80°C/T95°C Db IP65<br>IECEX Ex d IIC T6/T5 Gb,<br>Ex tb IIIC T80°C/T95°C Db |
| Approvals                      | PTB 11 ATEX 1003 X,<br>IECEX PTB 07.0034 X   |



Errors and omissions excepted.