

## Emergency pull-wire switch

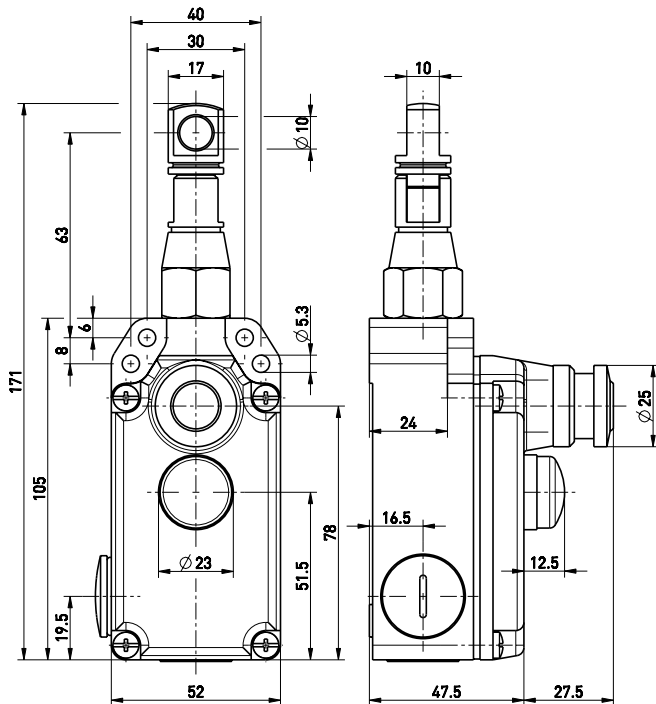
// ZS 71 10/1S VD-NA / 200 N Order no.: 71141506

### Features/Options


- Metal enclosure
- 2 contacts
- Small design
- Wire length up to 20 m

- Spring force variant (actuating force): 200 N for 5-20 m
- Release by push button
- Wire pull and breakage function
- Version with emergency-stop push button for direct and fast actuation at the switch

### Dimensions



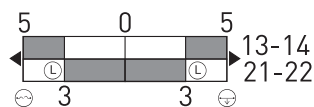
### Technical data

<b>Standards</b>	EN ISO 13849-1; IEC/EN 60947-5-1; IEC/EN 60947-5-5; EN 418
<b>Enclosure</b>	aluminium die-cast, enamel finish
<b>Cover</b>	glass-fibre reinforced, shock-proof thermoplastic, ultramid
<b>Degree of protection</b>	IP 65 to IEC/EN 60529
<b>Contact material</b>	silver
<b>Switching elements</b>	change-over contact with double break
<b>Switching system</b>	snap action, positive break NC contact ⊖
<b>Connection</b>	screw terminals
<b>Cable section</b>	max. 2.5 mm <sup>2</sup> (incl. conductor ferrules)
<b>Cable entry</b>	2 x M20 x 1.5
<b>B<sub>10d</sub> (10% Load)</b>	200.000
<b>T<sub>M</sub></b>	max. 20 years
<b>U<sub>imp</sub></b>	6 kV
<b>U<sub>i</sub></b>	400 V
<b>I<sub>the</sub></b>	6 A
<b>Utilisation category</b>	AC-15
<b>I<sub>e</sub>/U<sub>e</sub></b>	6 A/400 VAC
<b>Max. fuse rating</b>	6 A gL/gG D-fuse
<b>Ambient temperature</b>	-25 °C ... +70 °C
<b>Mech. life</b>	> 100.000 operations
<b>Max. wire length</b>	20 m
<b>Features</b>	wire pull and breakage function
<b>Approvals</b>	
<b>Weight</b>	400g

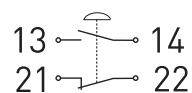
### Switching diagram

#### Snap action

1 NC/1 NO contact with emergency-stop push button



### Contact diagram



Errors and omissions excepted.