

Emergency pull-wire switch

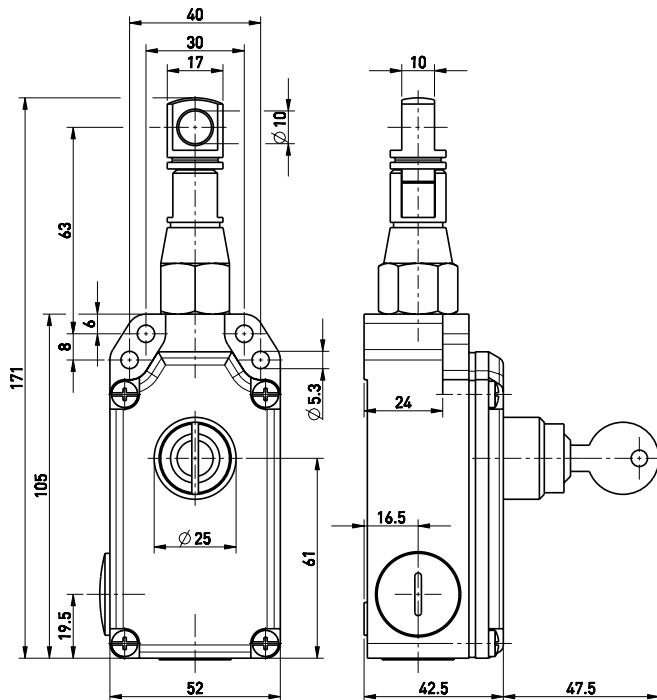
// ZS 71 10/1S VS / 200 N Order no.: 71141603

Features/Options

- Metal enclosure
- 2 contacts
- Small design
- Wire length up to 20 m

- Spring force variant (actuating force): 200 N for 5-20 m
- Release by key
- Wire pull and breakage function

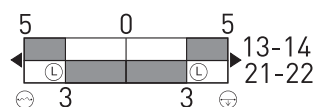
Dimensions



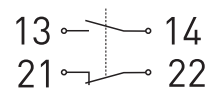
Switching diagram

Snap action



1 NC/1 NO contact



Contact diagram



Technical data

Standards	EN ISO 13849-1; IEC/EN 60947-5-1; IEC/EN 60947-5-5; EN 418
Enclosure	aluminium die-cast, enamel finish
Cover	glass-fibre reinforced, shock-proof thermoplastic, ultramid
Degree of protection	IP 54 to IEC/EN 60529
Contact material	silver
Switching elements	change-over contact with double break
Switching system	snap action, positive break NC contact \ominus
Connection	screw terminals
Cable section	max. 2.5 mm ² (incl. conductor ferrules)
Cable entry	2 x M20 x 1.5
B _{10d} (10% Load)	200.000
T _M	max. 20 years
U _{imp}	6 kV
U _i	400 V
I _{the}	6 A
Utilisation category	AC-15
I _e /U _e	6 A/400 VAC
Max. fuse rating	6 A gL/gG D-fuse
Ambient temperature	-25 °C ... +70 °C
Mech. life	> 100.000 operations
Max. wire length	20 m
Features	wire pull and breakage function
Approvals	 
Weight	440g

Errors and omissions excepted.