



## Emergency pull-wire switch

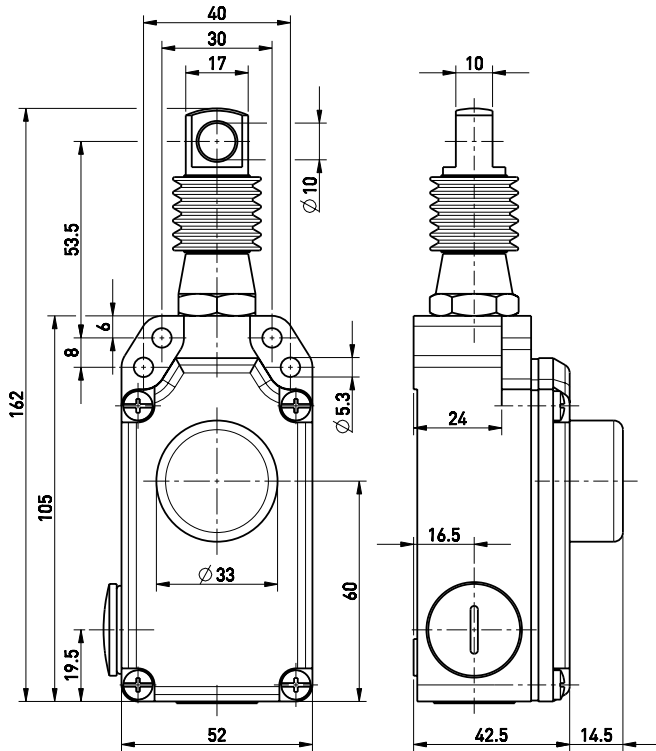
// ZS 71 10/1S WVD / 55 N Order no.: 71142501

### Features/Options

- Metal enclosure
- 2 contacts
- Small design
- Wire length up to 5 m

- Spring force variant (actuating force): 55 N for max. 5 m
- Release by push button
- Wire pull and breakage function
- Watertight collar W to protect against the entry of foreign bodies

### Dimensions



### Technical data

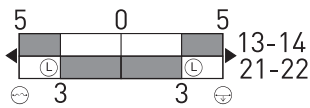
Standards	EN ISO 13849-1; IEC/EN 60947-5-1; IEC/EN 60947-5-5; EN 418
Enclosure	aluminium die-cast, enamel finish
Cover	glass-fibre reinforced, shock-proof thermoplastic, ultramid
Degree of protection	IP 65 to IEC/EN 60529
Contact material	silver
Switching elements	change-over contact with double break
Switching system	snap action, positive break
Connection	NC contact ⊖
Cable section	screw terminals
Cable entry	max. 2.5 mm <sup>2</sup> (incl. conductor ferrules)
B <sub>10d</sub> (10% Load)	2 x M20 x 1.5
T <sub>M</sub>	200.000
U <sub>imp</sub>	max. 20 years
U <sub>i</sub>	6 kV
I <sub>the</sub>	400 V
Utilisation category	6 A
I <sub>e</sub> /U <sub>e</sub>	AC-15
Max. fuse rating	6 A/400 VAC
Ambient temperature	6 A gL/gG D-fuse
Mech. life	-25 °C ... +70 °C
Max. wire length	> 100.000 operations
Features	5 m
Approvals	wire pull and breakage function
Weight	360g

Errors and omissions excepted.

### Switching diagram

#### Snap action

1 NC/1 NO contact



### Contact diagram

