

Emergency pull-wire switch

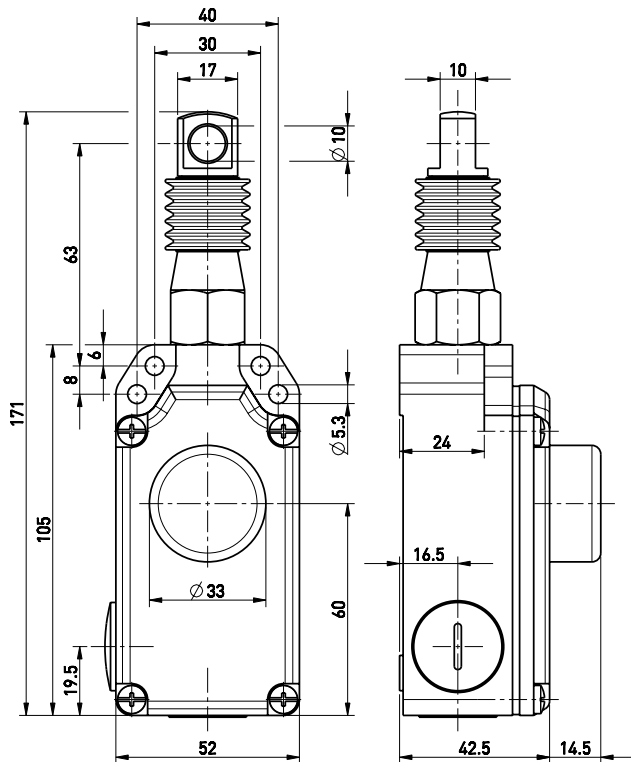
// ZS 71 10/1S WVD / 200 N Order no.: 71142906

Features/Options

- Metal enclosure
- 2 contacts
- Small design
- Wire length up to 20 m

- Spring force variant (actuating force): 200 N for 5-20 m
- Release by push button
- Wire pull and breakage function
- Watertight collar W to protect against the entry of foreign bodies

Dimensions



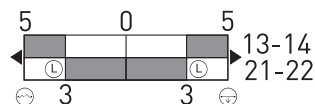
Technical data

Standards	EN ISO 13849-1; IEC/EN 60947-5-1; IEC/EN 60947-5-5; EN 418
Enclosure	aluminium die-cast, enamel finish
Cover	glass-fibre reinforced, shock-proof thermoplastic, ultramid
Degree of protection	IP 65 to IEC/EN 60529
Contact material	silver
Switching elements	change-over contact with double break
Switching system	snap action, positive break
Connection	NC contact ⊖
Cable section	screw terminals
Cable entry	max. 2.5 mm ² (incl. conductor ferrules)
B _{10d} (10% Load)	2 x M20 x 1.5
T _M	200.000
U _{imp}	max. 20 years
U _i	6 kV
I _{the}	400 V
Utilisation category	6 A
I _e /U _e	AC-15
Max. fuse rating	6 A/gL/gG D-fuse
Ambient temperature	-25 °C ... +70 °C
Mech. life	> 100.000 operations
Max. wire length	20 m
Features	wire pull and breakage function
Approvals	 UL, CE, US
Weight	180g

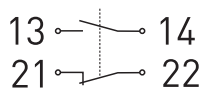
Switching diagram

Snap action

1 NC/1 NO contact



Contact diagram



Errors and omissions excepted.