

## Emergency pull-wire switch

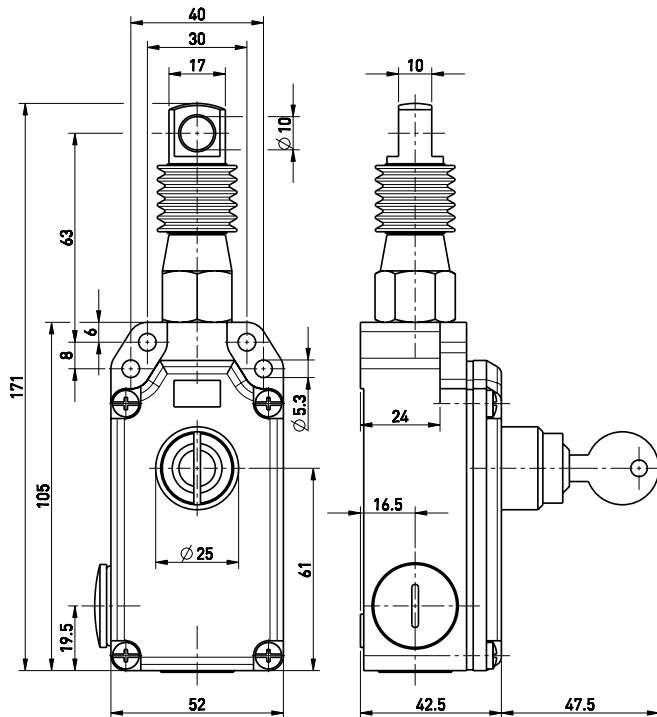
// ZS 71 10/1S WVS-A / 200 N Order no.: 71142908

### Features/Options

- Metal enclosure
- 2 contacts
- Small design
- Wire length up to 20 m
- Spring force variant (actuating force): 200 N for 5-20 m

- Release by key
- Wire pull and breakage function
- Position indicator A
- Watertight collar W to protect against the entry of foreign bodies

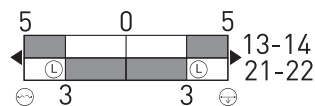
### Dimensions



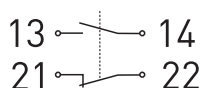
### Switching diagram

#### Snap action

1 NC/1 NO contact



### Contact diagram



### Technical data

#### Standards

EN ISO 13849-1;  
IEC/EN 60947-5-1;  
IEC/EN 60947-5-5; EN 418

#### Enclosure

aluminium die-cast, enamel finish  
Cover  
glass-fibre reinforced,  
shock-proof thermoplastic,  
ultramid

#### Degree of protection

IP 54 to IEC/EN 60529

#### Contact material

silver

#### Switching elements

change-over contact with  
double break

#### Switching system

snap action, positive break

#### Connection

NC contact ⊖

#### Cable section

screw terminals

max. 2.5 mm<sup>2</sup>  
(incl. conductor ferrules)

#### Cable entry

2 x M20 x 1.5

#### B<sub>10d</sub> (10% Load)

200.000

#### T<sub>M</sub>

max. 20 years

#### U<sub>imp</sub>

6 kV

#### U<sub>i</sub>

400 V

#### I<sub>the</sub>

6 A

#### Utilisation category

AC-15

#### I<sub>e</sub>/U<sub>e</sub>

6 A/400 VAC

#### Max. fuse rating

6 A gL/gG D-fuse

#### Ambient temperature

-25 °C ... +70 °C

#### Mech. life

> 100.000 operations

#### Max. wire length

20 m

#### Features

wire pull and breakage function

#### Approvals



Errors and omissions excepted.