

Emergency pull-wire switch

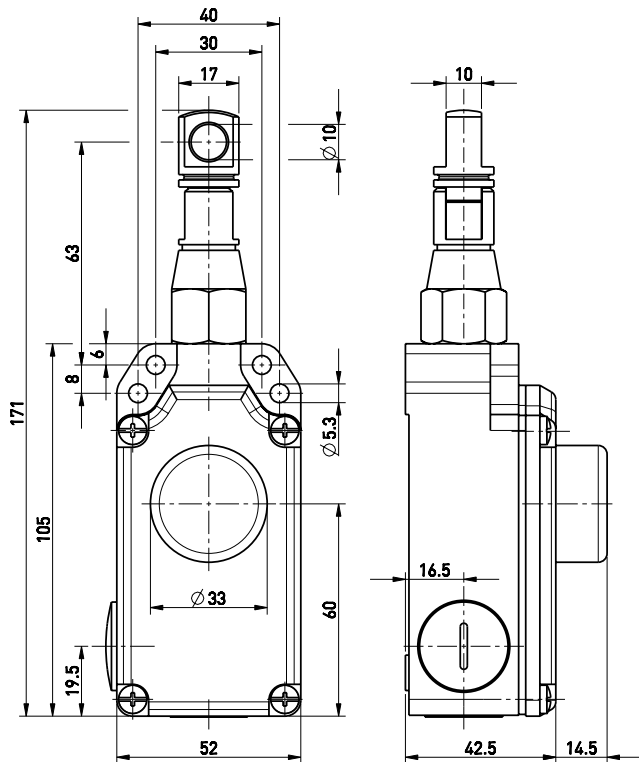
// ZS 71 20 VD / 200 N Order no.: 71541904

Features/Options


- Metal enclosure
- 2 contacts
- Small design
- Wire length up to 20 m

- Spring force variant (actuating force): 200 N for 5-20 m
- Release by push button
- Wire pull and breakage function

Dimensions

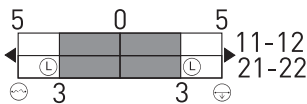


Technical data

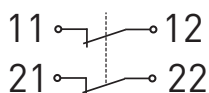
Standards	EN ISO 13849-1; IEC/EN 60947-5-1; IEC/EN 60947-5-5; EN 418
Enclosure	aluminium die-cast, enamel finish
Cover	glass-fibre reinforced, shock-proof thermoplastic, ultramid
Degree of protection	IP 65 to IEC/EN 60529
Contact material	silver
Switching elements	2 NC contacts with double break
Switching system	snap action, positive break
Connection	NC contacts ⊖
Cable section	screw terminals
Cable entry	max. 2.5 mm ² (incl. conductor ferrules)
B_{10d} (10% Load)	2 x M20 x 1.5
T_M	200.000
U_{imp}	max. 20 years
U_i	6 kV
I_{the}	400 V
Utilisation category	6 A
I_e/U_e	AC-15
Max. fuse rating	6 A gL/gG D-fuse
Ambient temperature	-25 °C ... +70 °C
Mech. life	> 100.000 operations
Max. wire length	20 m
Features	wire pull and breakage function
Approvals	
Weight	360g

Switching diagram

Snap action
2 NC contacts



Contact diagram



Errors and omissions excepted.