

Emergency pull-wire switch

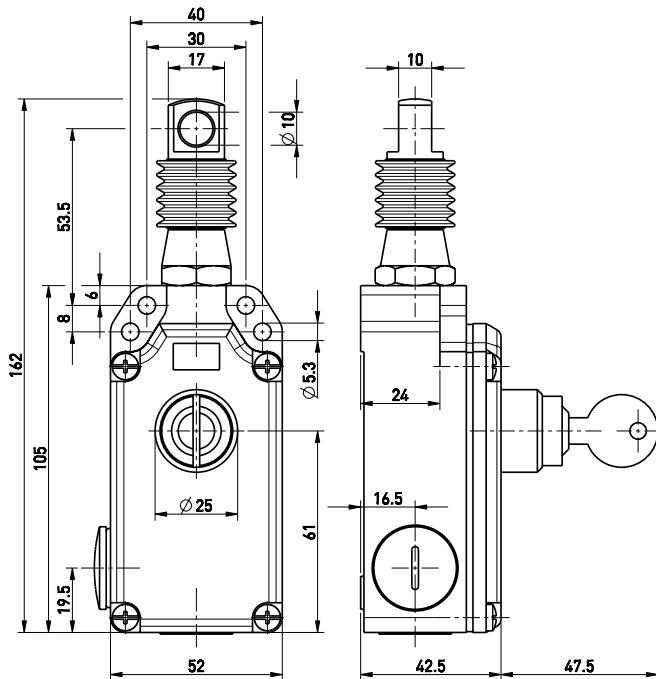
// ZS 71 20 WVS-A / 55 N Order no.: 71542602

Features/Options

- Metal enclosure
- 2 contacts
- Small design
- Wire length up to 5 m
- Spring force variant (actuating force): 55 N for max. 5 m

- Release by key
- Wire pull and breakage function
- Position indicator A
- Watertight collar W to protect against the entry of foreign bodies

Dimensions



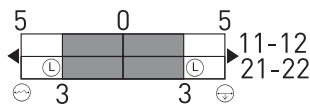
Technical data

| | |
|------------------------------------|---|
| Standards | EN ISO 13849-1; IEC/EN 60947-5-1; IEC/EN 60947-5-5; EN 418 |
| Enclosure | aluminium die-cast, enamel finish |
| Cover | glass-fibre reinforced, shock-proof thermoplastic, ultramid |
| Degree of protection | IP 54 to IEC/EN 60529 |
| Contact material | silver |
| Switching elements | 2 NC contacts with double break |
| Switching system | snap action, positive break |
| Connection | NC contacts ⊖ |
| Cable section | screw terminals |
| Cable entry | max. 2.5 mm ² (incl. conductor ferrules) |
| B_{10d} (10% Load) | 2 x M20 x 1.5 |
| T_M | 200.000 |
| U_{imp} | max. 20 years |
| U_i | 6 kV |
| I_{the} | 400 V |
| Utilisation category | 6 A |
| I_e/U_e | AC-15 |
| Max. fuse rating | 6 A/gL/gG D-fuse |
| Ambient temperature | 6 A/400 VAC |
| Mech. life | -25 °C ... +70 °C |
| Max. wire length | > 100.000 operations |
| Features | 5 m |
| Approvals | wire pull and breakage function |
| Weight | 400g |

Errors and omissions excepted.

Switching diagram

Snap action
2 NC contacts



Contact diagram

