

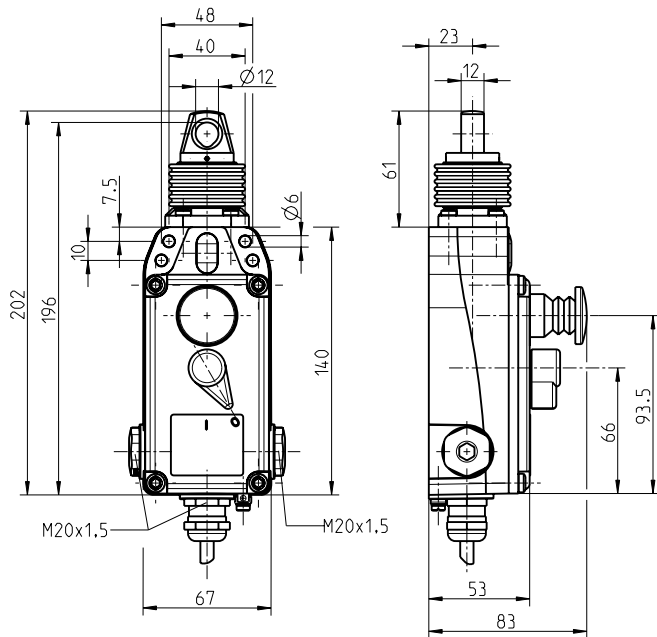
## Ex emergency pull-wire switches // Ex ZS 80 20 WVD Order no.: 72542301

### Features/Options

- Ex zone 1 and 21
- 2 contacts
- Position indicator and integrated emergency-stop push button
- Wire length up to 75 m

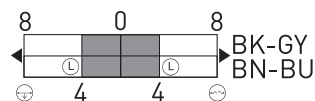
- Pretensioning force 100 N
- Lever for release and position indication
- Wire pull and breakage detection
- N.B.: Please state required approvals for Russia, China and Brazil with your order!

### Dimensions



### Switching diagram

Slow action  
2 NC contacts



### Technical data

Standards	EN 60947-5-1, -5; EN 60079-0, EN 60079-1, EN 60079-31; EN ISO 13849-1
Enclosure	aluminium die-cast, enamel finish
Cover	glass-fibre reinforced, shock-proof thermoplastic, ultramid
Switch insert	Ex 14
Degree of protection	IP 67 to IEC/EN 60259
Contact material	silver
Switching system	slow action, positive break NC contacts ⊖
Switching elements	2 NC contacts with double break
Connection	cable H05VV-F
$B_{10d}$ (10% Load)	200.000
$T_M$	max. 20 years
Cable section	4 x 0.75 mm <sup>2</sup> (incl. conductor ferrules)
Cable length	3 m
$U_{imp}$	4 kV
$U_i$	250 V
$I_{the}$	T6: 6 A, T5: 3 A
Utilisation category	AC-15, DC-13
$I_e/U_e$	6 A/250 VAC, 0.25 A/230 VDC
Max. fuse rating	6 A gL/gG D-fuse
Ambient temperature	T6: -20 °C ... +65 °C; T5: -20 °C ... +95 °C
Mechanical life	> 100 000 operations
Max. wire length	75 m
Features	wire pull and breakage detection
Ex certification	⊕ II 2G Ex d IIC T6/T5 Gb, ⊕ II 2D Ex tb IIIC T80°C/T95°C Db IP65 IECEx Ex d IIC T6/T5 Gb, Ex tb IIIC T80°C/T95°C Db
Approvals	PTB 11 ATEX 1003 X, IECEx PTB 07.0034 X



Errors and omissions excepted.