

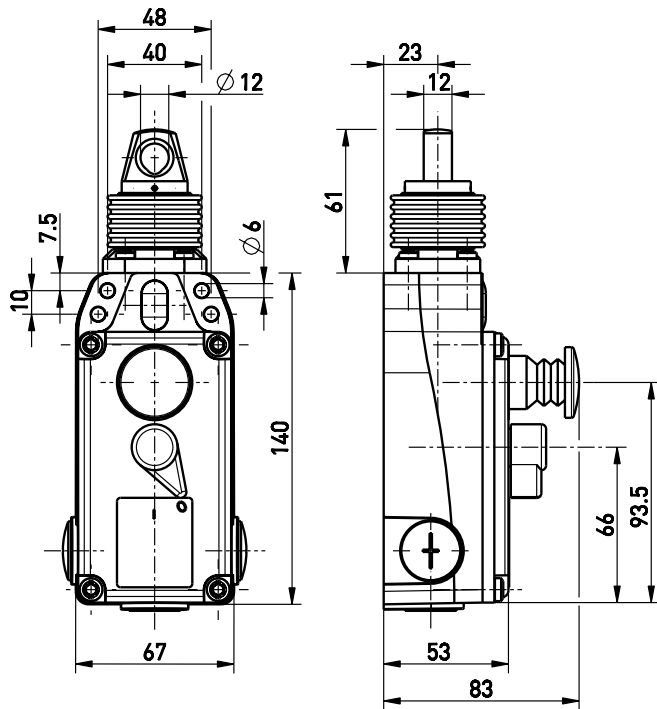
Emergency pull-wire switch // ZS 80 20/2S WVD Order no.: 72942501

Features/Options


- Metal enclosure
- 4 contacts
- Position indicator and integrated emergency-stop push button
- Wire length up to 75 m

- Pretensioning force 100 N
- Lever for release and position indication
- Watertight collar
- Wire pull and breakage function

Dimensions



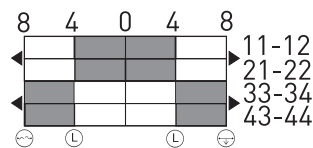
Technical data

Standards	EN ISO 13849-1; IEC/EN 60947-5-1; IEC/EN 60947-5-5; EN 418
Enclosure	aluminium die-cast, enamel finish
Cover	glass-fibre reinforced, shock-proof thermoplastic, ultramid
Degree of protection	IP 67 to IEC/EN 60259
Contact material	Silver
Switching elements	2 NC/2 NO contacts with double break
Switching system	slow action, positive break NC contacts ⊖
Connection	2 x 4 pole terminal block
Cable entry	3 x M20 x 1.5
Cable section	max. 2.5 mm ² (incl. conductor ferrules)
B _{10d} (10% Load)	200.000
T _M	max. 20 years
U _{imp}	2.5 kV
U _i	250 V
I _{the}	2 A
Utilisation category	AC-15
I _e /U _e	2 A/250 VAC
Max. fuse rating	2 A gL/gG D-fuse
Ambient temperature	-25 °C ... +70 °C
Mech. life	> 100.000 operations
Max. wire length	75 m
Features	wire pull and breakage function
Approvals	
Weight	694g

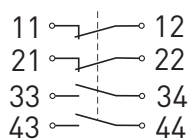
Switching diagram

Snap action

2 NC/2 NO contact



Contact diagram



Errors and omissions excepted.