

Ex belt-alignment switches

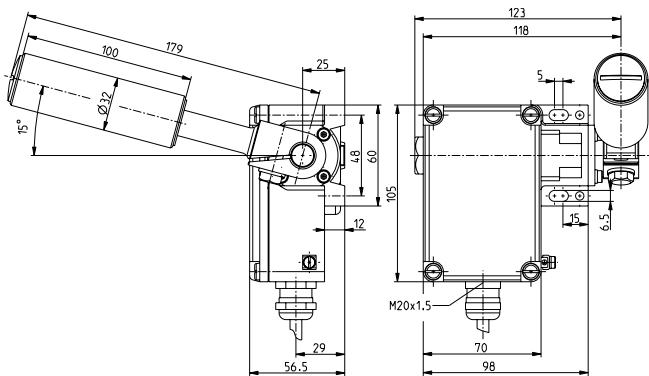
// Ex ZS 73 SR 1 NC/1 NO Order no.: 73031301

Features/Options

- Ex zone 1 and 21
- Metal enclosure
- 2 contacts

- Cable
- Belt-alignment roller made of stainless steel 1.4104
- N.B.: Please state required approvals for Russia, China and Brazil with your order!

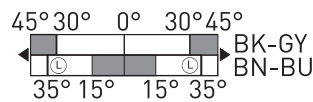
Dimensions



Switching diagram

Snap action

1 NC/1 NO contact



Technical data

Standards

EN 60947-5-1, -5; EN 60079-0,
EN 60079-1, EN 60079-31;
EN ISO 13849-1

Enclosure Cover

aluminium die casting, enamelled
glass-fibre reinforced,
shock-proof thermoplastic,
ultramid

Switch insert

Ex 14

Degree of protection

IP 54 to IEC/EN 60529

Contact material

silver

Switching system

slow action, positive break NC

contact \ominus

Switching elements

change-over contact with double
break

Connection

cable H05VV-F

Cable section

4 x 0.75mm²
(incl. conductor ferrules)

Cable length

3 m

B_{10d} (10% load)

2 million

T_M

max. 20 years

U_{imp}

4 kV

U_i

250 V

I_{the}

T6: 6 A; T5: 3 A

I_e/U_e

6 A/250 VAC; 0,25 A/230 VDC

Utilisation category

AC-15, DC-13

Max. fuse rating

6 A gL/gG D-fuse

Ambient temperature

T6: -20 °C ... +65 °C;
T5: -20 °C ... +95 °C

Mechanical life

> 1 million operations

Ex marking

⊕ II 2G Ex d IIC T6/T5 Gb,

⊕ II 2D Ex tb IIIC

T80°C/T95°C Db IP65

IECEx Ex d IIC T6/T5 Gb,

Ex tb IIIC T80°C/T95°C Db

Approvals

PTB 11 ATEX 1003 X,

IECEx PTB 07.0034 X



Errors and omissions excepted.