

Ex emergency pull-wire switches

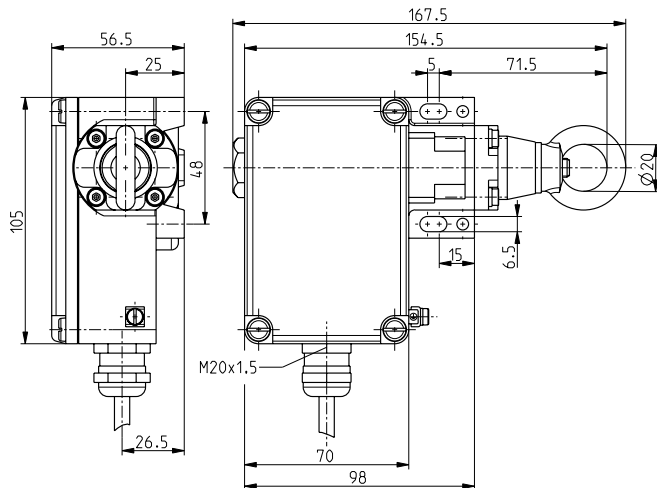
// Ex ZS 73 10/1S / 295-390 N Order no.: 73041301

Features/Options

- Ex zone 1 and 21
- 2 contacts
- Wire length up to 50 m

- Wire pull and breakage detection
- N.B.: Please state required approvals for Russia, China and Brazil with your order!

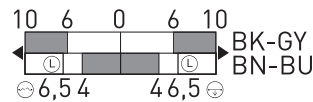
Dimensions



Switching diagram

Slow action

1 NC/1 NO contact



Technical data

Standards

EN 60947-5-1, -5; EN 60079-0, EN 60079-1, EN 60079-31; EN ISO 13849-1

Enclosure Cover

aluminium die-cast, enamel finish
glass-fibre reinforced, shock-proof thermoplastic, ultramid

Switch insert

Ex 14

Degree of protection

IP 65 to IEC/EN 60529

Contact material

silver

Switching system

slow action, positive break NC

contacts \ominus

Switching elements

change-over contact with double break

Connection

cable H05VV-F, length 3m

B_{10d} (10% Load)

2 million

T_M

max. 20 years

Cable section

4 x 0.75 mm²
(incl. conductor ferrules)
4 kV

U_{imp}

250 V

U_i

T6: 6 A, T5: 3 A

I_{the}

AC-15, DC-13

Utilisation category

6 A/250 VAC, 0.25 A/230 VDC

I_e/U_e

Max. fuse rating

6 A gL/gG D-fuse

Ambient temperature

T6: -20 °C ... +65 °C;
T5: -20 °C ... +95 °C

Mechanical life

> 1 million operations

Max. wire length

50 m

Features

wire pull and breakage function

Ex certification

Ex II 2G Ex d IIC T6/T5 Gb,
 Ex II 2D Ex tb IIIC
T80°C/T95°C Db IP65
IECEx Ex d IIC T6/T5 Gb,
Ex tb IIIC T80°C/T95°C Db
PTB 11 ATEX 1003 X,
IECEx PTB 06.0034 X

Approvals



Errors and omissions excepted.