

## Ex emergency pull-wire switches

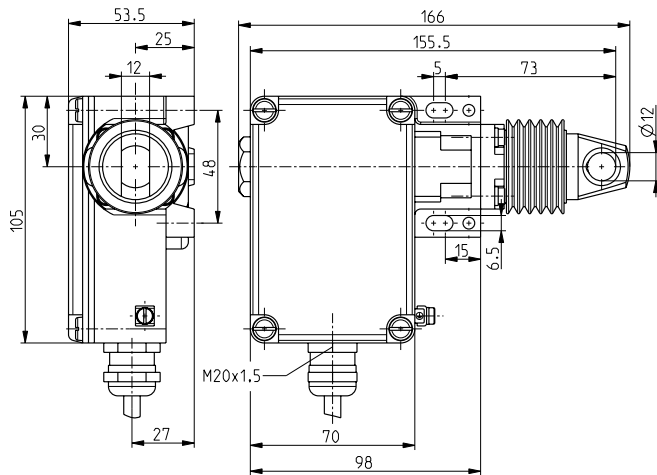
// Ex ZS 73 10/1S W / 295-390 N Order no.: 73042301

### Features/Options

- Ex zone 1 and 21
- 2 contacts
- Wire length up to 50 m

- Wire pull and breakage detection
- N.B.: Please state required approvals for Russia, China and Brazil with your order!

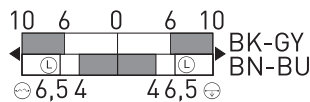
### Dimensions



### Switching diagram

#### Slow action

1 NC/1 NO contact



### Technical data

<b>Standards</b>	EN 60947-5-1, -5; EN 60079-0, EN 60079-1, EN 60079-31; EN ISO 13849-1
<b>Enclosure Cover</b>	aluminium die-cast, enamel finish glass-fibre reinforced, shock-proof thermoplastic, ultramid
<b>Switch insert</b>	Ex 14
<b>Degree of protection</b>	IP 65 to IEC/EN 60529
<b>Contact material</b>	silver
<b>Switching system</b>	slow action, positive break NC contacts ⊖
<b>Switching elements</b>	change-over contact with double break
<b>Connection</b>	cable H05VV-F, length 3m
<b>B<sub>10d</sub> (10% Load)</b>	2 million
<b>T<sub>M</sub></b>	max. 20 years
<b>Cable section</b>	4 x 0.75 mm <sup>2</sup> (incl. conductor ferrules)
<b>U<sub>imp</sub></b>	4 kV
<b>U<sub>i</sub></b>	250 V
<b>I<sub>the</sub></b>	T6: 6 A, T5: 3 A
<b>Utilisation category</b>	AC-15, DC-13
<b>I<sub>e</sub>/U<sub>e</sub></b>	6 A/250 VAC, 0.25 A/230 VDC
<b>Max. fuse rating</b>	6 A gL/gG D-fuse
<b>Ambient temperature</b>	T6: -20 °C ... +65 °C; T5: -20 °C ... +95 °C
<b>Mechanical life</b>	> 1 million operations
<b>Max. wire length</b>	30 m
<b>Features</b>	wire pull and breakage function
<b>Ex certification</b>	⊕ II 2G Ex d IIC T6/T5 Gb, ⊕ II 2D Ex tb IIIC T80°C/T95°C Db IP65 IECEX Ex d IIC T6/T5 Gb, Ex tb IIIC T80°C/T95°C Db PTB 11 ATEX 1003 X, IECEX PTB 06.0034 X
<b>Approvals</b>	



Errors and omissions excepted.